

DUMPSBOSS.

Brocade Certified Fabric Professional Gen 5

Brocade 143-085

Version Demo

Total Demo Questions: 10

Total Premium Questions: 91

Buy Premium PDF

<https://dumpsboss.co>

support@dumpsboss.co

support@dumpsboss.co
dumpsboss.co

Topic Break Down

Topic	No. of Questions
Topic 1, Product Features	13
Topic 2, Implementation and Configuration	12
Topic 3, SAN Management	8
Topic 4, Adaptive Networking and Fabric Vision	10
Topic 5, FC-FC Routing	16
Topic 6, Extension Features and Implementation	14
Topic 7, Advanced Troubleshooting	18
Total	91

QUESTION NO: 1

You need to restrict the users who are allowed to access a new Brocade DCX 8510-8. The user credentials and passwords must be centralized and identical on all DCX 8510-8s.

Which two actions will achieve this? (Choose two.)

- A. Configure LDAP authentication on all switches
- B. Configure LDAP authentication on the Principal switch
- C. Configure RADIUS authentication on the Principal switch
- D. Configure RADIUS authentication on all switches

ANSWER: A D

QUESTION NO: 2

Exhibit:

```
SW6510-131:FID128:admin> lscfg --show
```

```
Created switches FIDs(Domain IDs): 128(ds) (131) 50(1) 20(bs) (3) 60(1)
```

```
Port      0      1      2      3      4      5      6      7      8      9
```

```
-----  
FID      20 | 20 | 128 | 128 | 50 | 50 | 60 | 60 | 128 | 128 |
```

```
<Output Truncated>
```

Referring to the exhibit, which two statements are true? (Choose two.)

- A. Port 2 can be configured as an EX_Port.
- B. With proper configuration, ports 5 and 6 may be connected.
- C. With proper configuration, ports 1 and 2 may be connected.
- D. Port 1 may be configured as an EX_Port.

ANSWER: C D

QUESTION NO: 3

You need to configure a long distance link that connects to a time-division multiplexer (TDM).

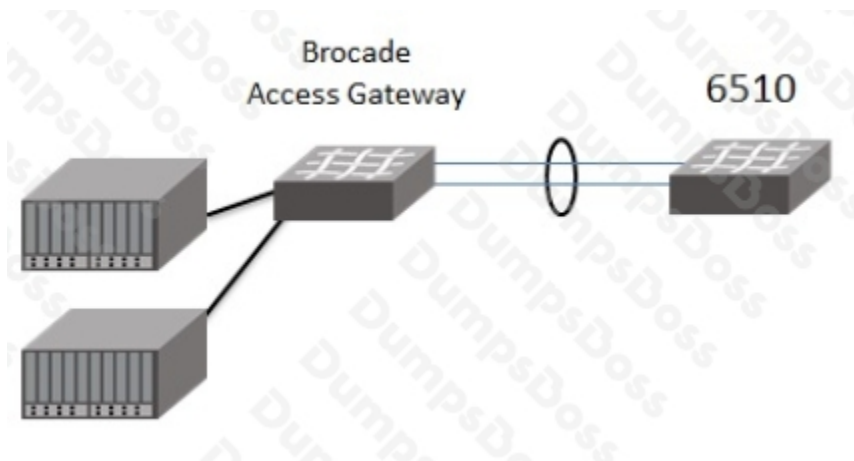
Which two statements are true? (Choose two.)

- A. You must disable QoS before configuring long distance.
- B. You must disable R_RDY Mode before configuring long distance.
- C. You must disable FC Fastwrite before configuring long distance.
- D. You must disable Credit Recovery before configuring long distance.

ANSWER: A D

QUESTION NO: 4

Refer to the exhibit.



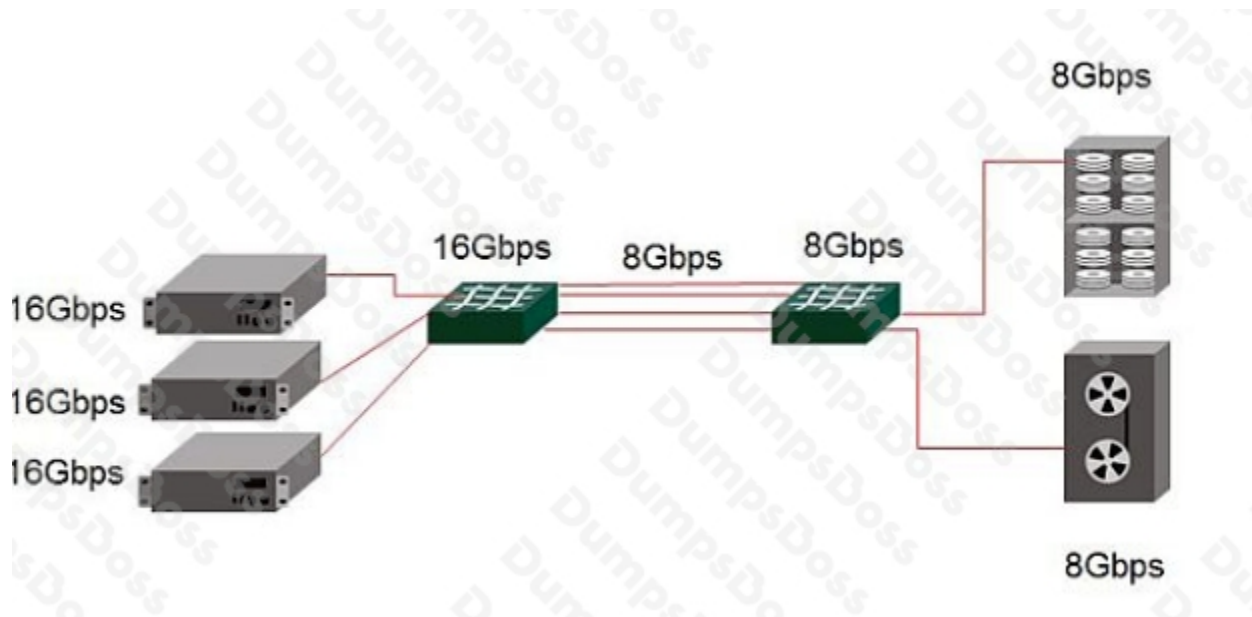
In the exhibit, what is required to configure the trunk?

- A. On the 6510, you must statically assign an Area_ID to the trunk group.
- B. On the Access Gateway, statically assign an Area_ID to the trunk group.
- C. Ensure that F_Port trunking is enabled on both devices.
- D. Ensure all ports on the Access Gateway reside in the same quad.

ANSWER: A

QUESTION NO: 5

Refer to the exhibit.



You have installed a Brocade 6510 switch into a fabric with 8 Gbps devices. You begin experiencing bottlenecks on the 8 Gbps ports.

What would you do to correct this problem?

- A. Configure Ingress Rate Limiting on the 16 Gbps devices.
- B. Configure Target Rate Limiting on the 8 Gbps device ports.
- C. Configure Bottleneck Detection.
- D. Install an additional ISL between switches.

ANSWER: A

QUESTION NO: 6

Your customer is replicating banking transaction data to a remote data center using Brocade 6510s and has a limited bandwidth of 32 Gbps. The transaction data should have priority over other data being replicated.

Which change meets this requirement?

- A. Configure compression on the trunk.
- B. Configure bottleneck detection on the trunk.
- C. Configure QoS on the trunk and use the `setratelimit` command for low priority traffic.
- D. Configure the QoS zone for the device transaction data to high priority.

ANSWER: D

QUESTION NO: 7

Exhibit:

```
for_switch:admin_06> switchshow
Index Slot Port Address Media Speed State
-----
...
20 2 4 ee1400 id N4 Online EX_Port (Trunk port, master is Slot 2 Port 7 )
21 2 5 ee1500 id N4 Online EX_Port (Trunk port, master is Slot 2 Port 7 )
22 2 6 ee1600 id N4 Online EX_Port (Trunk port, master is Slot 2 Port 7 )
23 2 7 ee1700 id N4 Online EX_Port 10:00:00:60:69:80:1d:bc "MtOlympus_72" (fabric id = 2 ) (Trunk master)
```

In the exhibit, if the master port goes offline, what will occur?

- A. The slave links will go offline.
- B. Frames on the slave links will be lost.
- C. The trunk group will split into multiple trunk groups.
- D. Frames on the master link will be lost.

ANSWER: D

QUESTION NO: 8

Which two statements are true about Access Gateway N_Port failover? (Choose two.)

- A. It changes the F_Port to N_Port mapping in the event of an F_Port link failure.
- B. It changes the F_Port to N_Port mapping in the event of an N_Port link failure.
- C. It changes the N_Port FC address to match the F_Port address to allow non-disruptive failover.
- D. It changes the F_Port FC address based on the new N_Port.

ANSWER: B D

QUESTION NO: 9

You have attached a Brocade DCX 8510-8 with one ISL to a Gen 5 fabric. The DCX has merged into the fabric, but it is showing several connection errors over several hours. You decide to run the D_Port diagnostic test on the ISL from the DCX.

What will happen when the test is run?

- A. The DCX 8510-8 will perform loopback diagnostics only to the port on its own chassis.
- B. The DCX 8510-8 will ask the user for the test parameters to use, and then run, inline diagnostics.

- C. The DCX 8510-8 will segment from the fabric and all FC communication will stop on that ISL.
- D. The DCX 8510-8 will notify the user that the D_Port test is only supported on the F_Port.

ANSWER: C

QUESTION NO: 10

You want to monitor traffic between a virtual host and a specified LUN. Additionally, you want to have the switch send an e-mail to the administrator if the transmit bandwidth exceeds a certain threshold.

Which two steps will accomplish this task? (Choose two.)

- A. Create a bidirectional flow between the host and storage and specify the LUN number.
- B. Create a unidirectional flow between the host and storage and specify the LUN number.
- C. Configure e-mail alerts in Flow Vision.
- D. Configure e-mail alerts in MAPS.

ANSWER: B D