

# DUMPSBOSS.

## Nokia Virtual Private Routed Networks

Alcatel-Lucent 4A0-106

Version Demo

Total Demo Questions: 15

Total Premium Questions: 213

Buy Premium PDF

<https://dumpsboss.co>

[support@dumpsboss.co](mailto:support@dumpsboss.co)

support@dumpsboss.co  
dumpsboss.co

## Topic Break Down

Topic	No. of Questions
Topic 1, Volume A	119
Topic 2, Volume B	94
<b>Total</b>	<b>213</b>

## QUESTION NO: 1

In a VPRN, which of the following are supported as PE-CE routing methods on the Nokia 7750 SR? (Choose four).

- A. Static
- B. RIP
- C. OSPF
- D. IS-IS
- E. MP-BGP
- F. BGP

**ANSWER: A B C F**

## QUESTION NO: 2

In a VPRN the PE device is configured to run which of the following protocols? (Choose three.)

- A. MP-BGP for exchanging customer routes with other PEs
- B. A routing protocol for exchanging customer routes with the CE
- C. MPLS for exchanging labels with other provider core devices
- D. MPLS for exchanging labels with the CE devices
- E. Targeted LDP for exchanging VPRN labels with other PE devices
- F. A label signaling protocol for defining transport tunnels between PE and CE devices

**ANSWER: A B C**

## QUESTION NO: 3

Which of the following commands may be used on a Nokia 7750 SR to display a network exported locally to BGP on the originating router? (Choose two)

```
community "Customer 1" members "target:65100:2"
community "Customer 1 and 2" members "target:65100:3"
policy-statement "Sample Policy"
    entry 10
        action accept
            community add "Customer 1 and 2"
        exit
    exit
exit
policy-statement "Sample Policy 3"
    entry 10
        from
            community "Customer 1 and 2"
        exit
    action accept
    exit
```

- A. Show router bgp routes
- B. Show router bgp routes prefix
- C. Show router bgp routes self-originated
- D. Show router bgp routes hunt
- E. Show router bgp neighbor advertised-routes

**ANSWER: D E**

## QUESTION NO: 4

Which of the following statements is true regarding the Route Distinguisher? (Choose three)

- A. It is an 8 byte value containing 3 fields
- B. The Route Distinguisher must have the same value as the Route Target.
- C. The Administrator field contains either an AS number or an IP number
- D. To ensure uniqueness, Route Distinguishers are assigned by the IANA.
- E. The Route Distinguisher is not used if the customer addresses do not overlap
- F. The Assigned Number field must contain a public IP address

**ANSWER: A B C**

## QUESTION NO: 5

What are the two main benefits of a hub and spoke VPRN design? (Choose two)

- A. Reduced number of VPN tunnels that need to be managed
- B. Centralized filtering policies with the introduction of a hub site
- C. Optimal routing between all sites
- D. Limited configuration required on the hub PE device

**ANSWER: A B**

## QUESTION NO: 6

On a PE router, the VRF table for VPRN 10 contains: one local route, two BGP routes learned from a local CE, and three tunneled routes learned from a remote site. If we execute the command "configure service vprn 10 maximum-routes 2 log-only" on this PE router, how many routes are expected to be in the VRF?

- A. Five routes: the local route, the two BGP routes learned from the local CE, and two tunneled routes.
- B. Six routes: the local route, the two BGP routes learned from the local CE, and three tunneled routes.
- C. Two routes: the local route and one tunneled route.
- D. Three routes: the local route and two tunneled routes.
- E. Two routes: the local route and one BGP route learned from the local CE.

**ANSWER: B**

## QUESTION NO: 7

Which of the following about Carrier Supporting Carrier (CSC) VPRN is FALSE?

- A. CSC eliminates the need for customer carriers to build and maintain their own MPLS backbone.
- B. CSC is also known as carrier's carrier or carrier serving carrier.
- C. The customer carrier provides VPN or Internet services to its end-customers.
- D. A CSC VPRN is configured on the customer carrier's CSC-CE routers.

**ANSWER: D**

**QUESTION NO: 8**

When configuring BGP as the PE-CE protocol on a Nokia 7750 SR, the configuration on the CE is done under the \_\_\_\_\_ context and the PE configuration is under the \_\_\_\_\_ context.

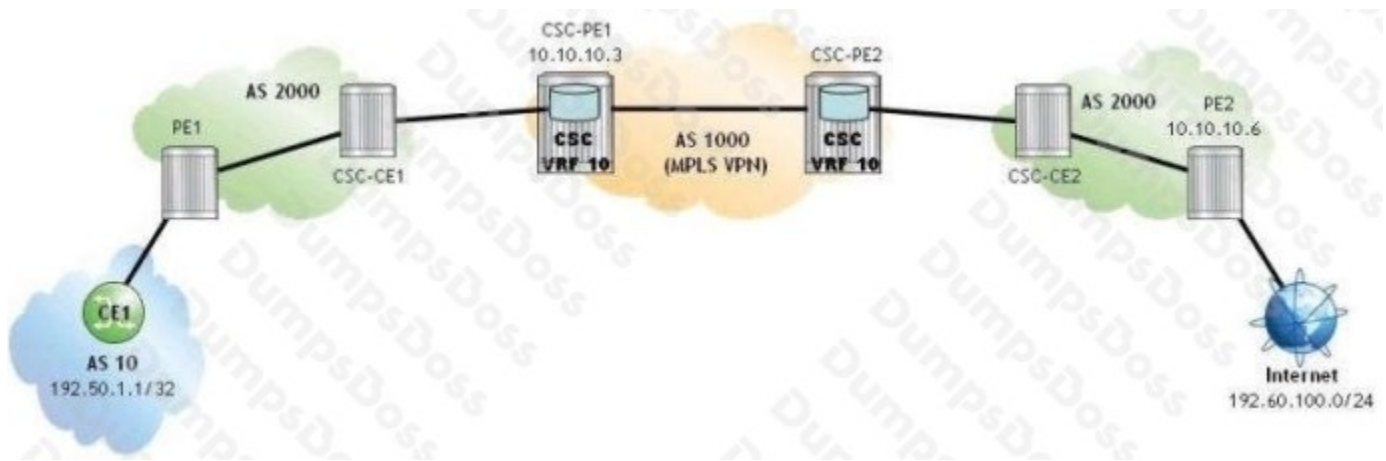
```
A:CE-1# show router bgp routes
=====
BGP Router ID : 10.10.10.76      AS : 65200      Local AS : 65200
=====
Legend -
Status codes  : u - used, s - suppressed, h - history, d - decayed, * - valid
Origin codes  : i - IGP, e - EGP, ? - incomplete, > - best
=====
BGP Routes
=====
Flag  Network          Nexthop      LocalPref  MED
     VPN Label
-----
u*>? 10.1.2.0/24         10.16.1.1   none       none
                        65100 65100
u*>? 10.10.10.78/32    10.16.1.1   none       none
                        65100 65100
u*>i 10.32.1.0/24       10.16.1.1   none       none
                        65100
```

- A. Global, router
- B. Router, router
- C. Service, router
- D. Router, service
- E. Service, service
- F. Router, global

**ANSWER: D**

**QUESTION NO: 9**

Click the exhibit.



A Carrier Supporting Carrier (CSC) VPRN is configured for a customer carrier who is an Internet Service Provider (ISP). Which route is NOT present in PE1's global routing table?

- A. 192.60.100.0
- B. 10.10.10.6
- C. 10.10.10.3
- D. 192.50.1.1

**ANSWER: C**

#### QUESTION NO: 10

Which of the following devices would typically have VRF instances?

- A. Any CE device
- B. Any PE device
- C. Any P device
- D. Any router in the service provider core
- E. Any customer router

**ANSWER: B**

#### QUESTION NO: 11

What are the main functions of a Layer 3 VPN? (Choose three).

- A. Distributing customer routing information between sites

- B. Forwarding customer data packets
- C. Providing an integrated billing solution
- D. Maintaining separation between distinct customer networks
- E. Allowing the implementation of Layer 3 devices in the provider core

**ANSWER: A B D**

## QUESTION NO: 12

Which of the following terms also correctly describes a Layer 3 VPN?(Choose three)

- A. VPRN
- B. BGP/MPLS VPN
- C. VLL
- D. VPLS
- E. IP-VPN
- F. ePipe

**ANSWER: A B E**

## QUESTION NO: 13

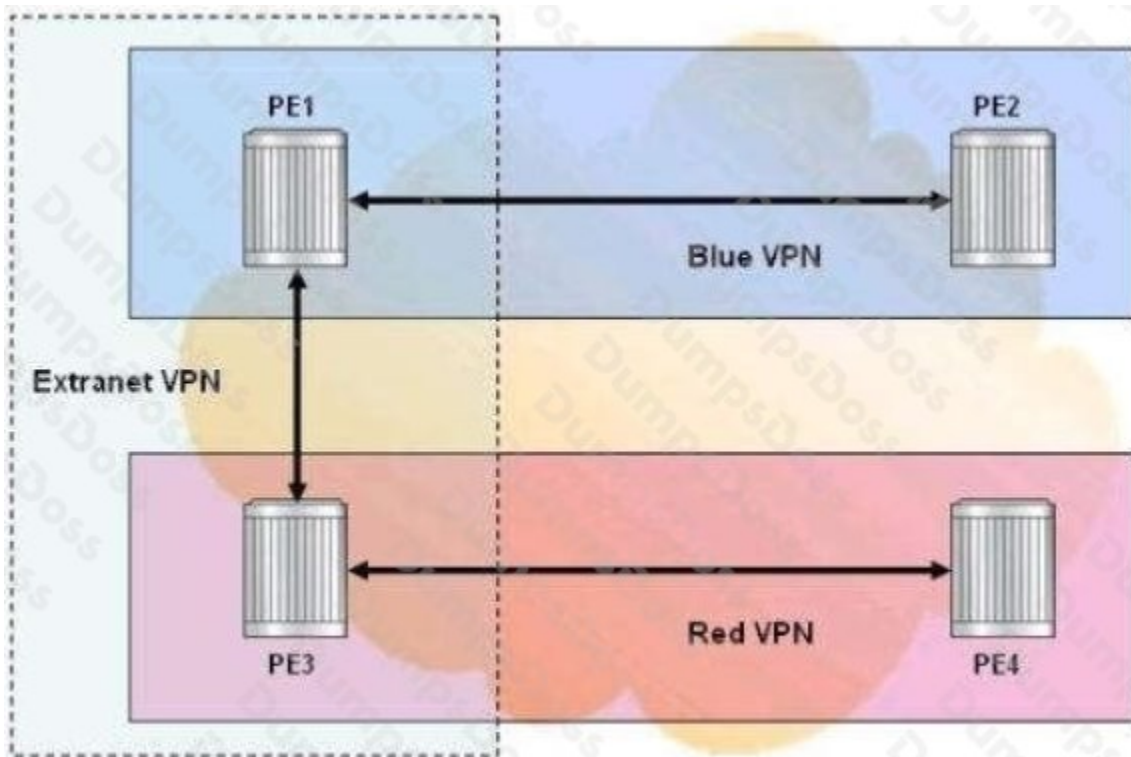
Which of the following about the Route Target is TRUE?

- A. The Route Target is added to an IPv4 route to create the VPN-IPv4 route.
- B. The Route Target is an extended community string that identifies VPN membership.
- C. A route can have only one Route Target.
- D. The Route Target is a 64-bit value added to customer prefixes to make them unique.

**ANSWER: B**

## QUESTION NO: 14

Click the exhibit.



How many route targets and route distinguishers are required to implement the extranet VPRN?

- A. Three route targets and three route distinguishers
- B. Five route targets and three route distinguishers
- C. Three route targets and two route distinguishers
- D. Five route targets and two route distinguishers

**ANSWER: C**

#### QUESTION NO: 15

The CLI command "remove-private" is configured on PE1 to eliminate BGP loops in the VPRN.



```
CE1# show router bgp routes
```

```
=====
```

```
BGP Router ID:10.10.10.3    AS:—    Local AS:—
```

```
=====
```

```
Legend -
```

```
Status codes : u - used, s - suppressed, h - history, d - decayed, * - valid  
                l - leaked, x - stale, > - best, b - backup, p - purge
```

```
Origin codes : i - IGP, e - EGP, ? - incomplete
```

```
=====
```

```
BGP IPv4 Routes
```

```
=====
```

Flag	Network Nexthop (Router) As-Path	LocalPref Path-Id	MED Label
u*>i	192.168.2.0/27 10.1.3.1	None None	None -

```
=====
```

For the displayed route, what is the value of the AS-Path field?

- A. 64496 64512
- B. 64512
- C. 64496
- D. 64512 64496

**ANSWER: B**