

DUMPSBOSS.

Nokia SRA Composite Exam

Nokia 4A0-C02

Version Demo

Total Demo Questions: 20

Total Premium Questions: 603

Buy Premium PDF

<https://dumpsboss.co>

support@dumpsboss.co

support@dumpsboss.co
dumpsboss.co

Topic Break Down

Topic	No. of Questions
Topic 1, Nokia Border Gateway Protocol	151
Topic 2, Nokia Virtual Private LAN Services	156
Topic 3, Nokia Virtual Private Routed Networks	195
Topic 4, Nokia Quality of Service	101
Total	603

QUESTION NO: 1

The following question relates to this command syntax: "config>service# vpls 9000 customer 6 create". Which of the following statements are correct? (Choose 2)

- A. The customer-id in this command is 9000.
- B. The service-id in this command is 9000.
- C. This value 9000 should be unique across the network as a best practice.
- D. The vc-id will be 6 for the service by default.
- E. The egress vc-label will be 9000.

ANSWER: B C

QUESTION NO: 2

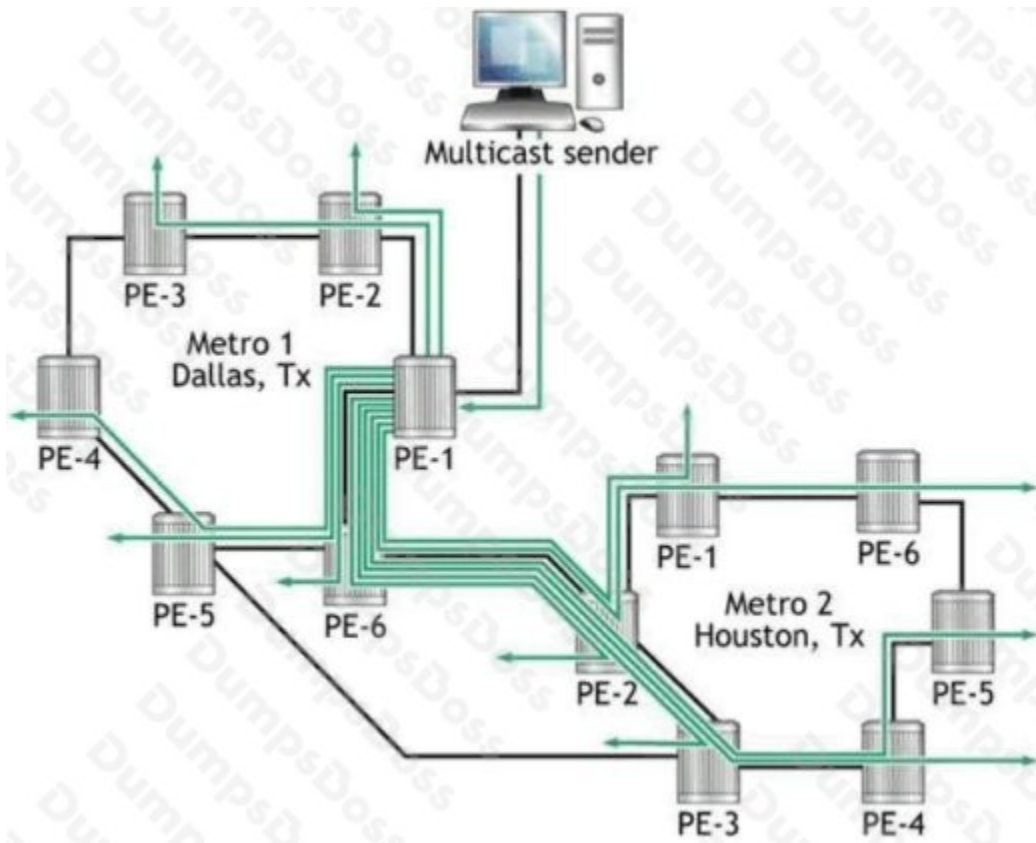
Which of the following are possible criteria for classifying packets at the network port ingress on the Alcatel-Lucent 7750 SR? (Choose three)

- A. The EXP bits in the MPLS header.
- B. The packet's source and destination IP addresses.
- C. The packet's DSCP bits.
- D. The dot1p bits in the frame header.
- E. The ID of an SDP that is transporting the packet.

ANSWER: A C D

QUESTION NO: 3

Click on the exhibit below.



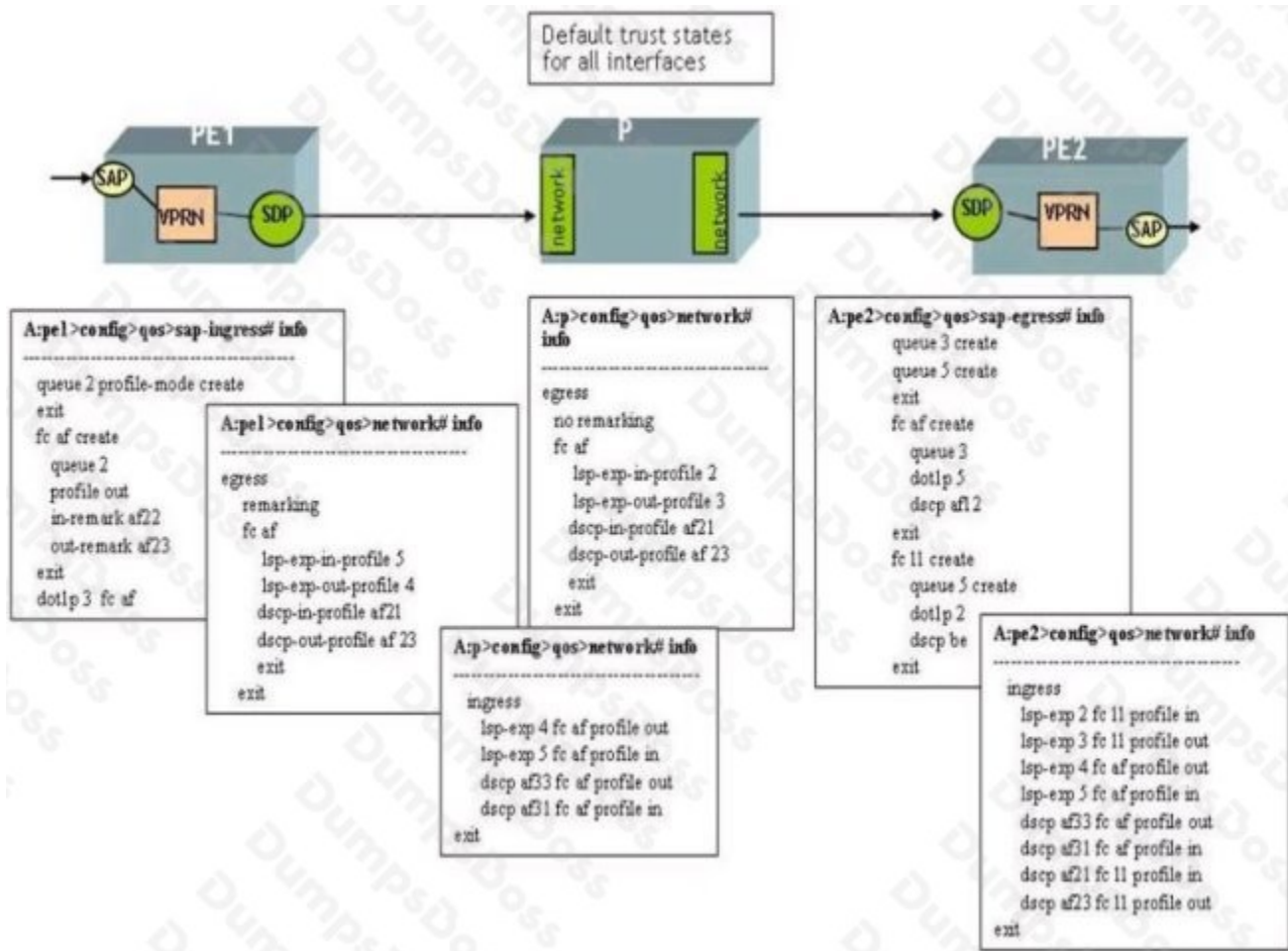
Assume PE-1 has a mesh-sdp configured to every PE node in both Metro networks. What could be done to prevent the bandwidth replication between Metro 1 and Metro 2?

- A. PE-1 must be configured with mesh-SDPs to every node receiving the multicast traffic. There is no way to reduce the replication or bandwidth.
- B. PE nodes in Metro 1 could be configured with mesh-SDPs. PE nodes in Metro 2 would be configured with mesh-SDPs. However, the connection between Metro networks (PE-2 to PE-6) can be configured with a spoke-sdp. This would reduce the replication and bandwidth used on the link between Metro networks. This also reduces the replication required by PE-1.
- C. PE-1 can be configured with spoke-SDPs to every PE node in both Metro networks. This will reduce the bandwidth and replication within the network.
- D. PE nodes in Metro 1 could be configured with spoke-SDPs. PE nodes in Metro 2 would be configured with spoke-SDPs. However, the connection between Metro networks (PE-2 to PE-6) can be configured with a mesh-sdp. This would reduce the replication and bandwidth used on the link between Metro networks. This also reduces the replication required by PE-1.

ANSWER: B

QUESTION NO: 4

Click the exhibit button below.



All interfaces are using their default trust states and MPLS is used as the transport tunnel. The SAP-ingress, SAP-egress, and network QoS policies have been configured as shown below. Assume that the default network-queue policy is used on each router.

At router PE 1, customer traffic is arriving marked with DSCP BE and tagged with a dot1p value of 3.

Based on the configuration shown below for the VPRN service, what will be the DSCP and dot1p marking for the packet egressing at router PE 2? (Choose two)

- A. The DSCP value will be set to af21.
- B. The DSCP value will be set to be.
- C. The DSCP value will be set to af23.
- D. The DSCP value will be set to af 12.
- E. The dot1p value will be set to 5.
- F. The dot1p value will be set to 2.
- G. The dot1p value will be set to 3.

ANSWER: D E

QUESTION NO: 5

On the Alcatel-Lucent 7750 SR, where can network-queue policies be applied? (Choose two)

- A. On the network egress port.
- B. On the SDP.
- C. On the access ingress port.
- D. On the egress MDA.
- E. On the SAP.
- F. On the ingress MDA.

ANSWER: A F

QUESTION NO: 6

What operation does a P device perform when it receives a labeled packet for a VPRN service?

- A. It forwards the packet based on the label signaled by MP-BGP.
- B. It decrements the TTL and forwards the packet based on the inner label.
- C. It swaps the outer label then forwards the packet.
- D. The P router does not perform any operations on labeled packets.

ANSWER: C

QUESTION NO: 7

Two management VPLSs have been created. mVPLS 1 and mVPLS 2. Two user VPLS services exist. uVPLS 10 and uVPLS 20. What command can be used to determine which management VPLS is managing uVPLS 10?

- A. show stp 10
- B. show service vpls 1 stp
- C. show service id 10 stp
- D. show service id 1 stp or show service id 2 stp

ANSWER: C

QUESTION NO: 8

Click on the exhibit below.

```
A:PE-B# show service id 333 stp
=====
Stp info, Service 333
=====
Bridge Id       : 80:00:00:16:4d:1c:e9:b8  Top. Change Count : 6
Root Bridge    : 80:00:00:03:fa:40:a2:9c  Stp Oper State   : Up
Primary Bridge : This Bridge              Topology Change  : Inactive
Mode           : Rstp                     Last Top. Change : 0d 00:00:58
Vcp Active Prot. : Rstp                    External RPC     : 10
Root Port      : 2048
=====
Stp port info
=====
Sap/Sdp Id      Oper-  Port-  Port-  Port-  Oper-  Link-  Active
State           Role   State  State  Num   Edge  Type   Prot.
-----
1/1/1           Up     Root   Forward 2048  False Pt-pt  Rstp
=====
```

Based on the output below which of the following statements is true?

- A. This Bridge is furthest from the Root Bridge within the VPLS mesh.
- B. This Bridge is the Root Bridge.
- C. SAP 1/1/1 is an Edge Port.
- D. This Bridge is closest to the Root Bridge within the VPLS mesh.

ANSWER: D

QUESTION NO: 9

Which of the following regarding BGP confederations is FALSE?

- A. A confederation is a collection of Autonomous Systems advertised as a single AS number to BGP speakers outside the confederation.
- B. Each member AS must either maintain a full mesh of iBGP sessions, or use route reflection.
- C. Confederations can be used to subdivide ASs that have a large number of BGP speakers into smaller domains.
- D. A full mesh of intra-confederation eBGP sessions is required between the member ASs.

ANSWER: D

QUESTION NO: 10

You are providing a customer two VPLS services in two different Metro networks. VPLS 500 has been configured in Metro 1 and VPLS 900 has been configured in Metro 2. The customer has requested that they have connectivity between the Metro Networks with their existing VPLS services. Which configuration on the PE routers linking the metro networks will allow for VPLS 500 and VPLS 900 to act as a single VPLS service? Assume default values for all VPLS parameters and SDP 999 exists between the metro networks.

- A. Metro 1>service# vpls 500
Metro 1>service>vpls# spoke-sdp 999:500
Metro 2>service#vpls 900
Metro 2>service>vpls>spoke-sdp 999:500
- B. Metro 1>service# vpls 500
Metro 1>service>vpls# mesh-sdp 999:500
Metro 2>service#vpls 900
Metro 2>service>vpls>mesh-sdp 999:500
- C. Metro 1>service# vpls 500
Metro 1>service>vpls# spoke-sdp 999:500
Metro 2>service#vpls 900
Metro 2>service>vpls>spoke-sdp 999:900
- D. It is not possible to have 2 VPLS services with different service ids to act as a single service when default settings are used.

- A. Option A
- B. Option B
- C. Option C
- D. Option D

ANSWER: A

QUESTION NO: 11

Complete the following statement. In a VPRN, the label signaled by RSVP-TE is used to _____.

- A. Identify the egress PE in the MPLS domain
- B. Signal the egress VPRN ID
- C. Identify the ingress PE in the MPLS domain
- D. Transport route updates between PEs

ANSWER: A

QUESTION NO: 12

What command is required to configure the PE devices for a VPRN service on an Alcatel-Lucent 7750 SR?

- A. Family vpn-ipv4
- B. Family vprn-ipv4
- C. Family vprn
- D. Address-family vpn-ipv4
- E. Address-family vprn-ipv4
- F. Address-family vprn

ANSWER: A

QUESTION NO: 13

Based on queue usage, which of the following QoS-policies when combined will allow queue rates to be dynamically allocated? (Choose two)

- A. The slope-policy
- B. The SAP-ingress policy
- C. The network-queue policy
- D. The scheduler-policy
- E. The network-policy
- F. The WRED-policy
- G. The arbitrator-policy

ANSWER: B D

QUESTION NO: 14

Which of the following are characteristics of 802.1p? (Choose two)

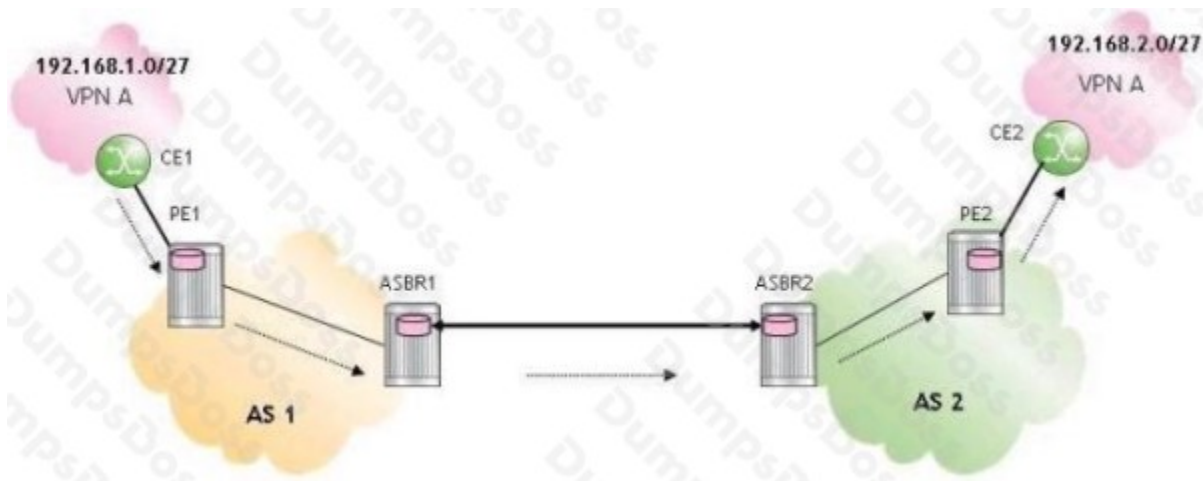
- A. 802.1p adds 16 bits to the Layer 2 header,
- B. 802.1p adds 16 bits to the Layer 3 header.
- C. 802.1p specifies 64 different priority levels.
- D. 802.1p uses a field in the 802.1Q header.
- E. 802.1p uses a field in the Layer 3 IP header

F. 802.1p defines a 3-bit Class of Service field.

ANSWER: D F

QUESTION NO: 15

Click the exhibit.



For the inter-AS model A VPRN. BGP is used as the PE-CE routing protocol. Which of the following statements about the control plane operation is TRUE?

- A. PE1 sends an IPv4 update for prefix 192.168.1.0/27 via MP-BGP to ASBR1.
- B. ASBR1 sends an IPv4 update for prefix 192.168.1.0/27 to ASBR2.
- C. ASBR1 transforms an IPv4 update for prefix 192.168.1.0/27 to a VPN-IPv4 route; allocates VPN label V1 and sends the update to ASBR2.
- D. ASBR2 accepts a VPN-IPv4 update from ASBR1, then sends the update to PE2 via MP-BGP.

ANSWER: B

QUESTION NO: 16

To implement Hierarchical-QoS (Multi-tiered scheduling), which of the following actions must be undertaken? (Choose three)

- A. H-QoS capabilities must be enabled globally on the router
- B. A scheduler-policy must be configured.
- C. The queues in the SAP-ingress and SAP-egress policies do not require additional configuration attributes to make use of the hierarchical schedulers.
- D. The network queue policy must be configured to make use of the scheduler-policy.

- E. The scheduler-policy must be referenced in the SAP-ingress and SAP-egress policies.
- F. The scheduler-policy must be applied on the service SAP.

ANSWER: B E F

QUESTION NO: 17

When a Service Provider offers VPRN services to its customers, which of the following functions are expected to be the responsibility of the Service Provider? (Choose three)

- A. Distributing the customer generated labels between sites
- B. Distributing the customer routing information between
- C. Forwarding the customer originated data packets to the appropriate destination
- D. Forwarding the provider originated data packets to the appropriate customer site
- E. Providing secure layer 3 routing exchange between sites

ANSWER: B C E

QUESTION NO: 18

Which of the following regarding the withdrawal of routes from one BGP speaker to another is TRUE?

- A. An update message is used. Only a single prefix can be withdrawn at a time.
- B. An update message is used. Multiple prefixes can be withdrawn at a time.
- C. A withdraw message is used. Only a single prefix can be withdrawn at a time.
- D. A withdraw message is used. Multiple prefixes can be withdrawn at a time.

ANSWER: B

QUESTION NO: 19

In a VPRN the PE device is configured to run which of the following protocols? (Choose three.)

- A. MP-BGP for exchanging customer routes with other PEs
- B. A routing protocol for exchanging customer routes with the CE
- C. MPLS for exchanging labels with other provider core devices

- D. MPLS for exchanging labels with the CE devices
- E. Targeted LDP for exchanging VPRN labels with other PE devices
- F. A label signaling protocol for defining transport tunnels between PE and CE devices

ANSWER: A B C

QUESTION NO: 20

Click the exhibit button below. Given the output of the `#show pools 1/2/2 network-egress` command on a GigE port, what can the service provider deduce? (Choose two)

```
A:srla>config# show pools 1/2/2 network-egress

=====
Pool Information
=====
Port          : 1/2/2
Application   : Net-Egr          Pool Name      : default
Resv CBS     : Sum
-----

Utilization      State   Start-Avg Max-Avg   Max-Prob
-----
High-Slope      Down   70%      90%      80%
Low-Slope       Up     10%      50%      80%

Time Avg Factor : 7
Pool Total      : 20480 KB
Pool Shared     : 12288 KB          Pool Resv      : 8192 KB

Pool Total In Use : 704 KB
Pool Shared In Use : 192 KB          Pool Resv In Use :
512 KB
WA Shared In Use  : 1 KB

Hi-Slope Drop Prob : 0          Lo-Slope Drop Prob : 0
-----

FC-Maps      MBS      Depth  A.CIR      A.FIR
              CBS              O.CIR      O.FIR
-----
be 12        192      190     0           1000000
              0           0           Max
af           10240    456    250000     1000000
              1792      250000     Max
11           5120     0       250000     1000000
              512       250000     Max
h2           10240    0       1000000    1000000
              1792      Max         Max
ef           10240    0       1000000    1000000
              1792      Max         Max
h1           512      0       100000     10000
              512      100000     10000
nc           5120     0       100000     1000000
              512      100000     Max
```

- A. QoS is not configured on the router.
- B. Packets in forwarding classes "be" and "12" are being queued.
- C. Traffic belonging to forwarding class "ef" is not experiencing queuing delays.
- D. Traffic belonging to forwarding class "11" will never make use of the shared buffer pool.

E. Out-of-profile traffic in the shared buffer pool is being dropped.

ANSWER: B C