

DUMPSBOSS.

Designing Aruba Solutions

HP HPE6-A47

Version Demo

Total Demo Questions: 6

Total Premium Questions: 68

Buy Premium PDF

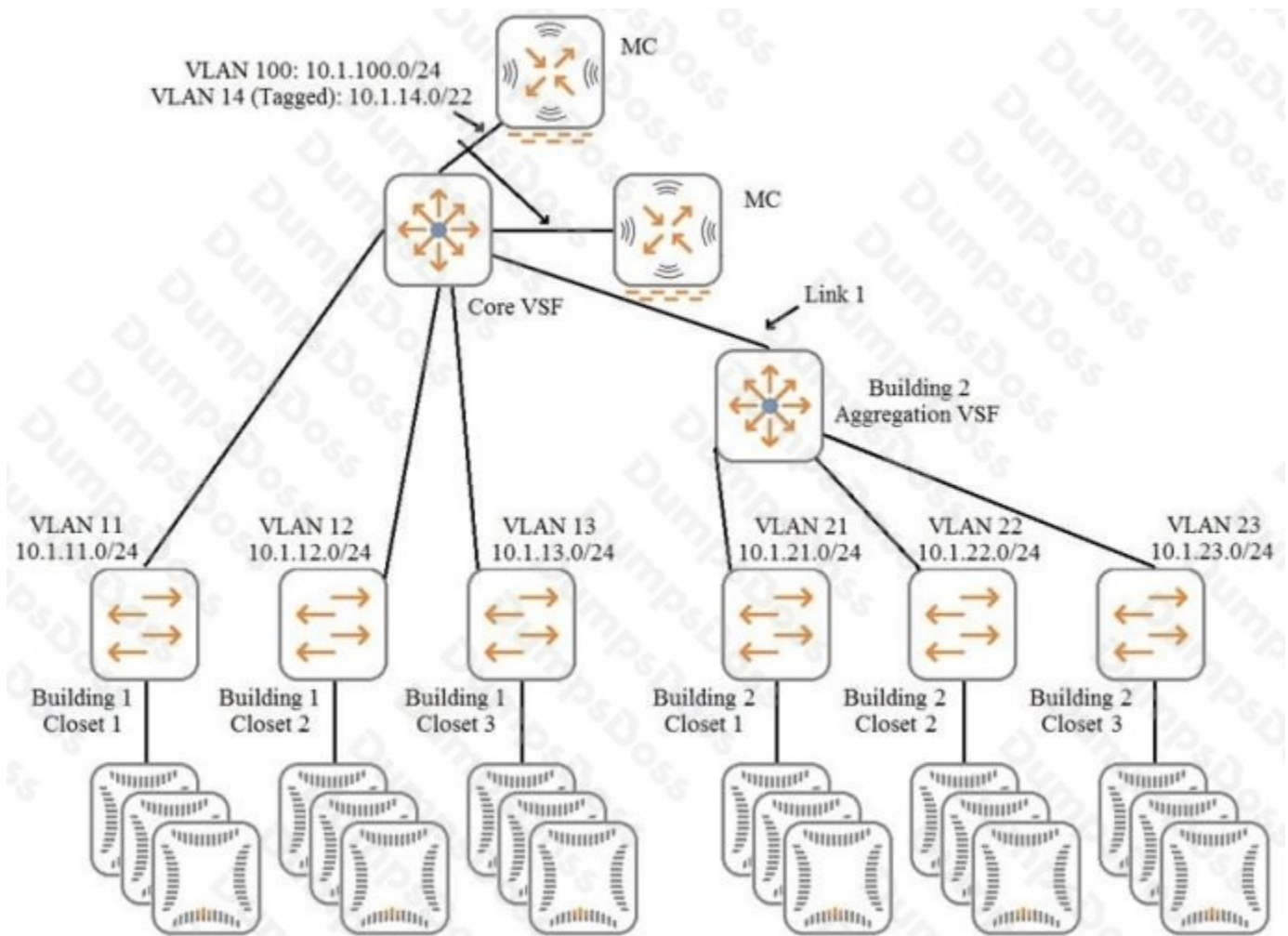
<https://dumpsboss.co>

support@dumpsboss.co

support@dumpsboss.co
dumpsboss.co

QUESTION NO: 1

Refer to the exhibit.



The customer needs to expand its wired and wireless network to a new building, Building 2, which is near the existing building, Building 1. The exhibit shows the logical plan that the architect has created so far. The aggregation layer switches in the new building should provide the default gateway services for the VLANs in the new building and route traffic to the core. The existing Aruba Mobility Controllers (MCs) will control the new APs.

What should be the VLAN assignment for Link 1, indicated in the exhibit?

- A. an unused VLAN such as 200
- B. VLANs 21, 22, and 23 only
- C. VLANs 11, 12, 13, 21, 22, and 23
- D. the default VLAN and VLAN 14

ANSWER: C

QUESTION NO: 2

A customer needs a wireless solution upgrade. Among the devices that need wireless access are printers. What information about the printers does the architect need to plan the wireless solution?

(Select two.)

- A. whether the printers are physically locked down
- B. the identity of users who need to access printers
- C. whether the printers support Power over Ethernet (PoE)
- D. whether the printers support 802.1X
- E. the 802.11 standards supported by the printer

ANSWER: C E

QUESTION NO: 3

An architect needs to plan a wireless deployment. The architect conducts a physical walkthrough, but still needs more information. Which significant RF obstacle can be difficult to see visually and might require access to blueprints?

- A. fiberglass
- B. metal firewall
- C. ceiling tiles
- D. drywall

ANSWER: A

QUESTION NO: 4

A customer has a small office building that needs approximately 32 APs. The solution must support basic rogue AP detection and provide a stateful firewall with role-based policies. The customer would like the simplest, most cost-effective deployment that meets their needs.

What should the architect recommend?

- A. Aruba remote APs
- B. Aruba campus APs and a Virtual Mobility Controller

C. Aruba Instant APs

D. Aruba campus APs and an Aruba 7005 Mobility Controller

ANSWER: D

QUESTION NO: 5

Scenario:

An architect proposes these products for a customer who wants a wireless and wired upgrade:

- Aruba 2930M switches at the access layer
- Aruba 5406R switches at the core
- Aruba AP-325s
- Aruba 7205 Mobility Controllers (MCs), deployed in a cluster
- Aruba Mobility Master (MM)
- Aruba ClearPass Cx000V
- Aruba AirWave

The architect also needs to propose a security plan for the solution. The customer has 900 employees and up to 30 guests a day. The customer wants to protect the internal perimeter of the network with authentication and simple access controls. The customer is most concerned about wireless security, but also wants to ensure that only trusted users connect on the wire. However, the customer also wants all wired traffic to be forwarded locally on access layer switches. The customer already has a third-party firewall that protects the data center.

The customer wants to use certificates to authenticate user devices, but is concerned about the complexity of deploying the solution. The architect should recommend a way to simplify. For the most part users connect company-issued laptops to the network. However, users can bring their own devices and connect them to the network. The customer does not know how many devices each user will connect, but expects about two or three per-user. DHCP logs indicate that the network supports a maximum of 2800 devices.

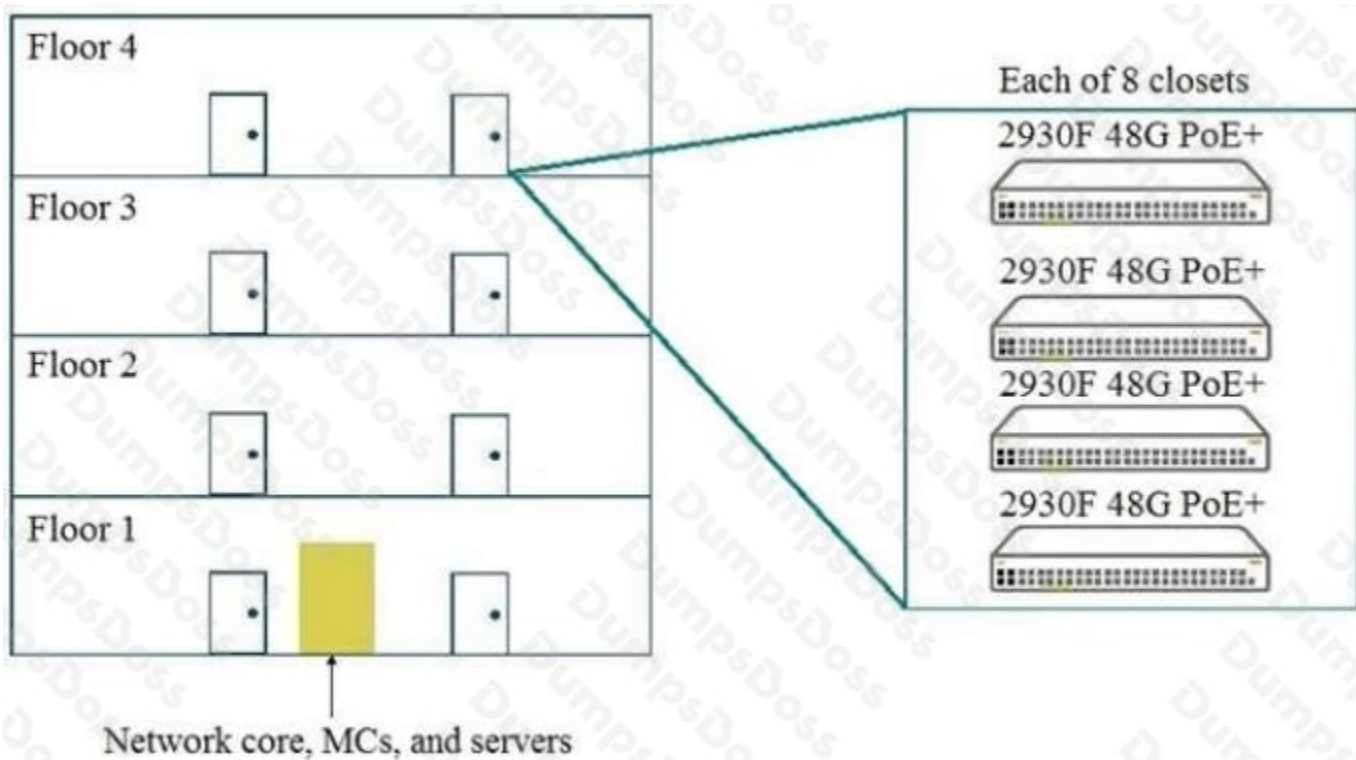
Refer to the provided scenario. Based on the plan for wired authentication, what is a correct plan for wired user VLANs?

- A. use the MCs to assign wired users to their VLANs, and extend the VLANs to a Layer 3 switch connected to the MC.
- B. specify the VLANs in network policies on AirWave, and ensure that both the switches and MCs are managed by AirWave.
- C. assign wired users to different VLANs from wireless users, based on port or role assignments on access layer switches. Extend the VLANs to the core.
- D. configure the same roles on switches and MCs to place wired and wireless users in the same VLANs. Extend VLANs from access layer switches to the core.

ANSWER: C

QUESTION NO: 6

Refer to the exhibit.



An architect needs to plan a network solution for a new office building with four floors. Each floor has two wiring closets with the equipment shown in the exhibit. The switches will connect to employee desktops, a few campus APs controlled by MCs, and printers. The switches do not implement tunneled node.

What is a best practice design for the VLANs and subnets for the wired devices?

- A. one VLAN per closet and a /24 subnet for each VLAN
- B. one VLAN per closet and a /25 subnet for each VLAN
- C. one VLAN for the entire building and a /23 subnet
- D. one VLAN per floor and a /24 subnet for each VLAN

ANSWER: B