

DUMPSBOSS.

CompTIA Network+ 2018

CompTIA N10-007

Version Demo

Total Demo Questions: 20

Total Premium Questions: 933

Buy Premium PDF

<https://dumpsboss.co>

support@dumpsboss.co

support@dumpsboss.co
dumpsboss.co

QUESTION NO: 1

A user from a remote office is reporting slow file transfers. Which of the following tools will an engineer MOST likely use to get detailed measurement data?

- A. Packet capture
- B. iPerf
- C. NetFlow analyzer
- D. Internet speed test

ANSWER: B

QUESTION NO: 2

A company is expanding and building a new remote branch office. Marketing will need 78 IP addresses, finance will need 150 IP addresses, legal will need 39 IP addresses, and R&D will need 12 IP addresses. The network administrator gives the technician a network of 172.16.48.0/23 and wants the technician to use VLSM for the design. Which of the following are possible solutions? (Choose three.)

- A. The marketing department should receive a /25 network.
- B. The R&D department should have 172.16.49.207 as a broadcast address.
- C. The R&D department should receive a /27 network.
- D. The finance department should have 172.16.49.127 as a broadcast address.
- E. The marketing department should have usable IPs ranging from 172.16.49.129 to 172.16.49.190.
- F. The legal department should have a first usable IP address of 172.16.49.190
- G. The legal department should have usable IPs ranging from 172.16.49.129 to 172.16.49.190.
- H. The R&D department should have a last usable IP address of 172.16.49.190.

ANSWER: A B G

QUESTION NO: 3

A company needs a secure way to provide building blueprints to an engineering partner frequently. The Chief Information Officer (CIO) states that a secure protocol must be used for transfer, and the partner needs to initiate a secure connection to the company's router. Which of the following would BEST meet the requirements? (Choose two.)

- A. Site-to-site VPN
- B. Client-to-site VPN
- C. RDP
- D. SSH
- E. SFTP
- F. Captive portal

ANSWER: B E

QUESTION NO: 4

Which of the following technologies provides a failover mechanism for the default gateway?

- A. FHRP
- B. LACP
- C. OSPF
- D. STP

ANSWER: A

QUESTION NO: 5 - (HOTSPOT)

HOTSPOT

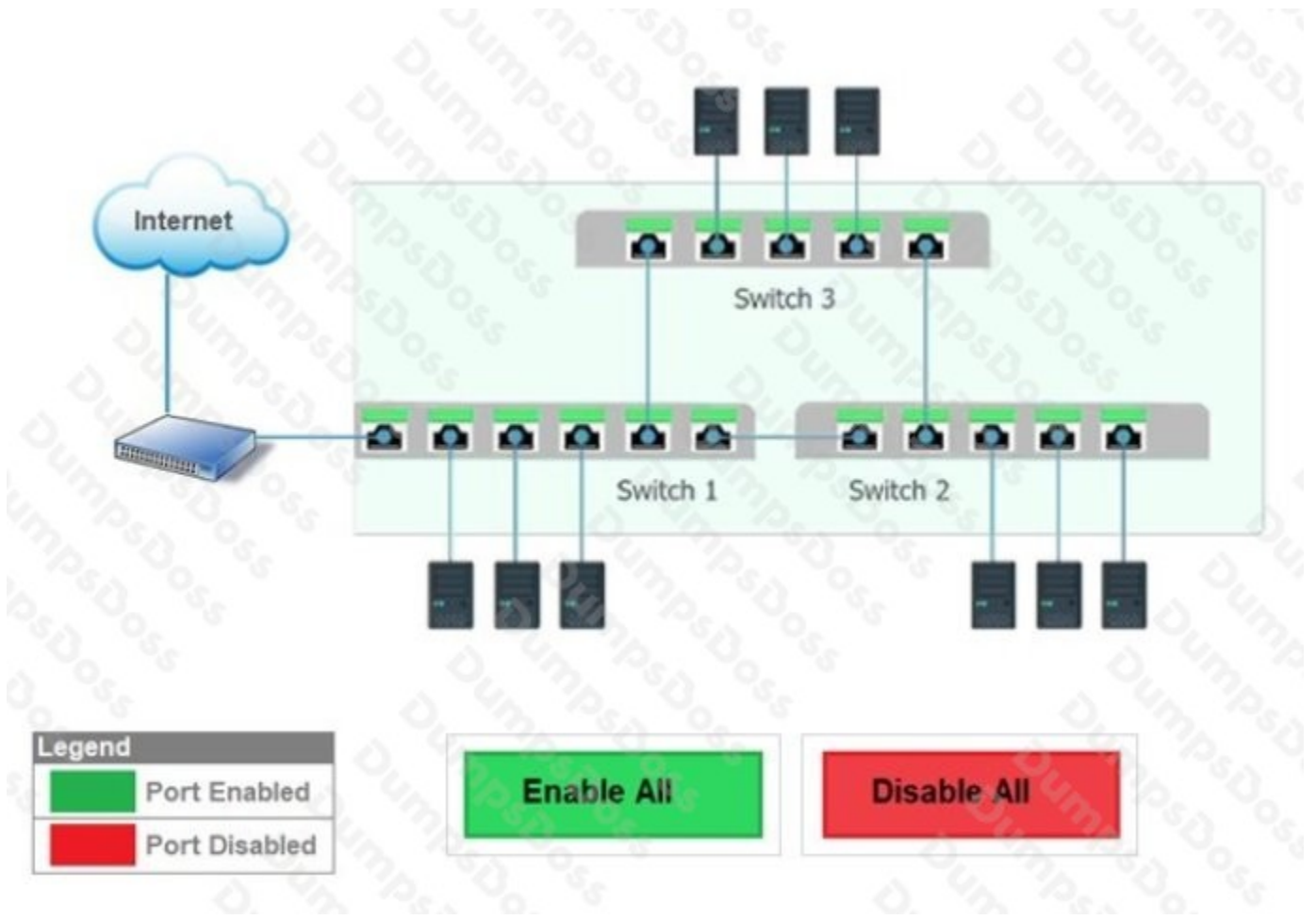
Workstations are unable to access the Internet after a recent power outage. Configure the appropriate devices to ensure All workstations have Internet connectivity.

Instructions

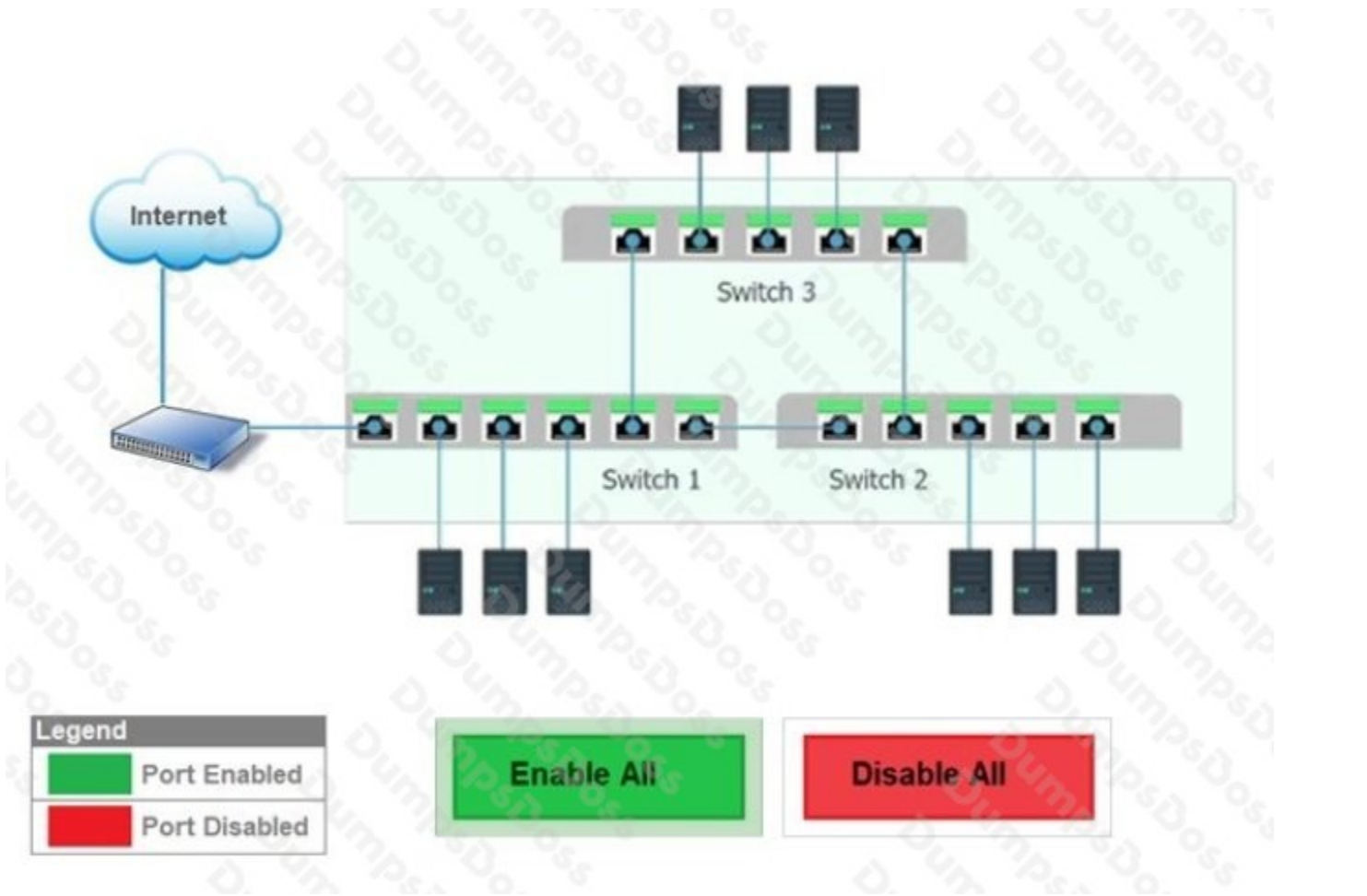
All ports can be enabled (fill) or disabled (no fill).

If at any time you would like to bring back the initial state of the simulation, please click the Reset All button.

Hot Area:



ANSWER:

**QUESTION NO: 6 - (DRAG DROP)**

DRAG DROP

You are tasked with creating a network that will accomplish the following requirements.

Requirements:

- The remote Sales Team must be able to connect to the corporate network.
- Each department must have ONLY two PCs and a server.
- Each department must be segmented from each other.
- The following VLANs have been designed:
 - VLAN 2 – Finance
 - VLAN 12 – Sales
 - VLAN 22 – Human Resources (HR)
- Routing for VLAN 12 is implemented on the router. Routing for VLAN 2 and VLAN 22 is on the switch.

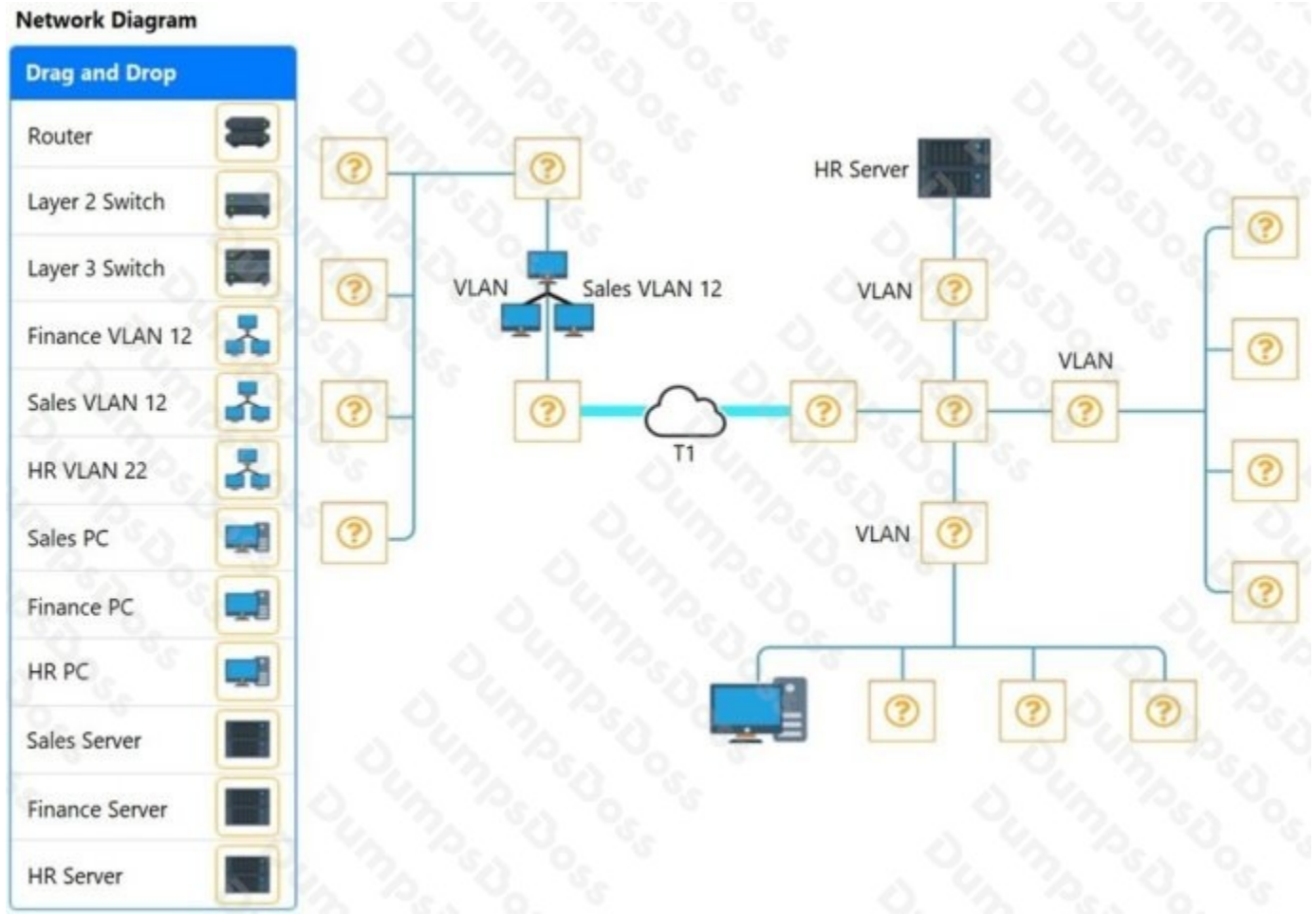
INSTRUCTIONS

Complete the network by dragging the required objects onto the diagram.

Objects can be used multiple times and not all placeholders need to be filled.




If at any time you would like to bring back the initial state of the simulation, please click the Reset All button.

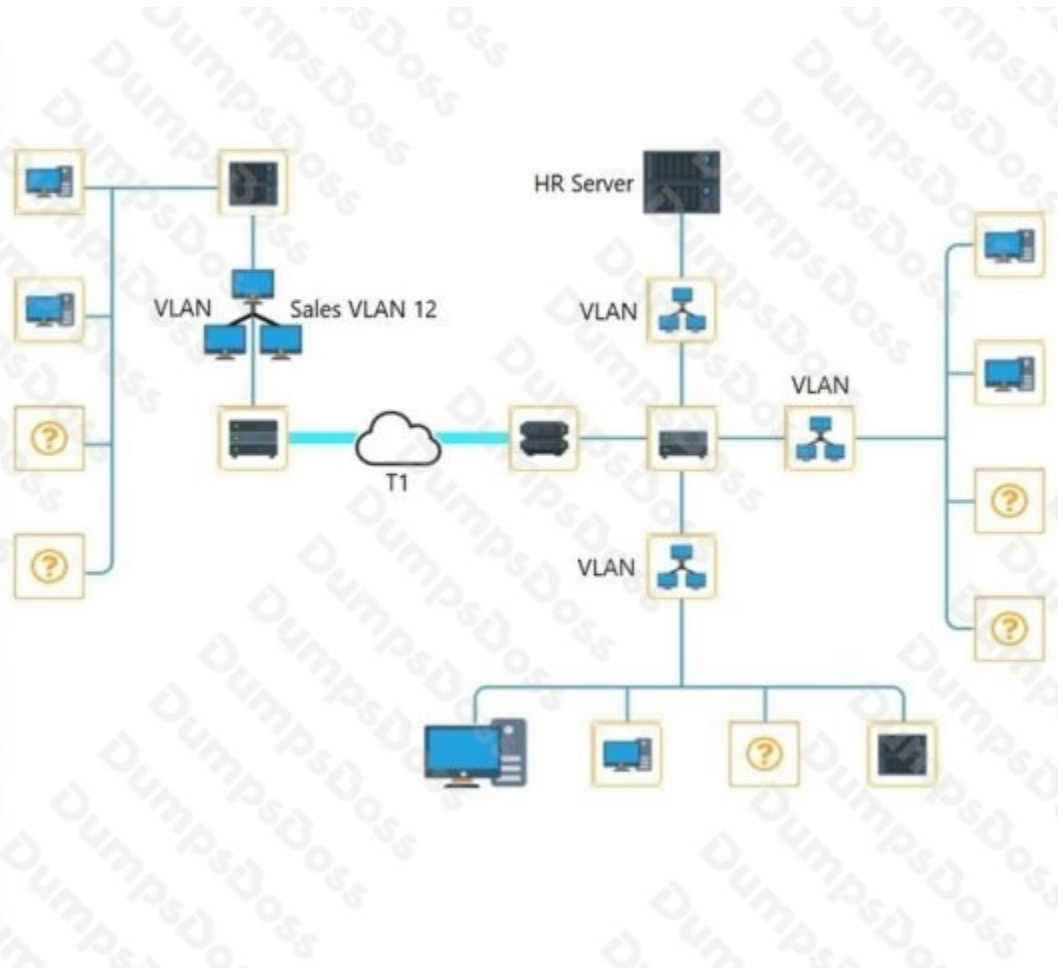
Select and Place:



ANSWER:

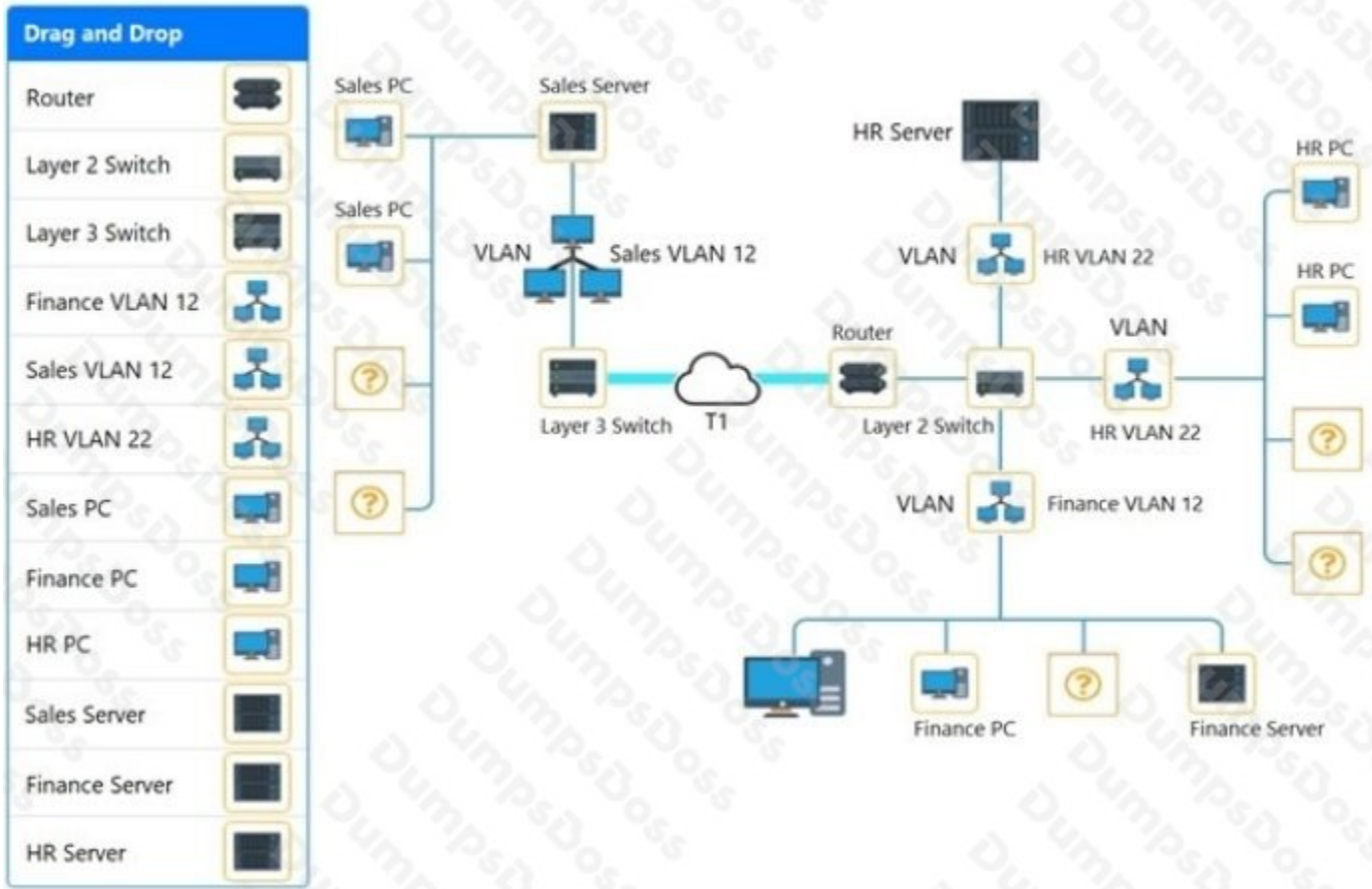
Network Diagram

Drag and Drop	
Router	
Layer 2 Switch	
Layer 3 Switch	
Finance VLAN 12	
Sales VLAN 12	
HR VLAN 22	
Sales PC	
Finance PC	
HR PC	
Sales Server	
Finance Server	
HR Server	



Explanation:

Network Diagram



QUESTION NO: 7

Which of the following is a reason why a business may be hesitant to move sensitive data to a SaaS cloud service?

- A. Decreased performance of internal network
- B. Loss of full control over data resources
- C. Increased malware exposure
- D. Incompatibility with the current network

ANSWER: B

QUESTION NO: 8

A development team has been testing a web server on a virtual server to create a web application. Once satisfied, the development team clones the entire virtual server into production. The development team needs to use HTTP, HTTPS, and

SSH to connect to the new server. Which of the following should the network administrator do to help secure this new production VM? (Choose two.)

- A. Disable the HTTP port in the host firewall.
- B. Upgrade the firmware on the firewall.
- C. Generate new SSH host keys.
- D. Remove unnecessary testing accounts.
- E. Issue a new self-signed certificate.

ANSWER: C E

QUESTION NO: 9

A telecommunications provider has just deployed a new OC-12 circuit at a customer site. While the circuit showed no errors from the provider end to the customer's demarcation point, a network administrator is trying to determine the cause of dropped packets and errors on the circuit. Which of the following should the network administrator do to rule out any problems at Layer 1? (Choose two.)

- A. Use a loopback at the demark and router, and check for a link light
- B. Use an OTDR to validate the cable integrity
- C. Use a pinout tester to validate the cable integrity
- D. Use a multimeter to validate the cable integrity
- E. Check for any devices that may be causing EMI on the cable
- F. Clean the cables to be sure they are free of dust and debris

ANSWER: A B

QUESTION NO: 10

A typical cell tower will have microwave and cellular antennas. Which of the following network topologies do these represent? (Choose two.)

- A. Point-to-multipoint
- B. Bus
- C. Point-to-point
- D. Mesh
- E. Peer-peer

F. Ring

ANSWER: C D

QUESTION NO: 11

As part of a transition from a static to a dynamic routing protocol on an organization's internal network, the routing protocol must support IPv4 and VLSM. Based on those requirements, which of the following should the network administrator use? (Choose two.)

- A. OSPF
- B. IS-IS
- C. RIPv1
- D. BGP
- E. VRRP

ANSWER: A B

QUESTION NO: 12

Ann, a network technician, is told to disable unused ports on a switch. Another technician tells her the policy is to move those ports into a non-routed VLAN and leave them enabled. Which of the following documents should Ann use to ensure she is employing the correct method?

- A. Inventory management
- B. Wiring and port location
- C. Configuration baseline
- D. Standard operating procedure

ANSWER: D

QUESTION NO: 13

Which of the following would allow a network technician to access files on a remote system? (Choose two.)

- A. FTP
- B. TFTP

- C. VLSM
- D. SIP
- E. SMTP
- F. IMAP

ANSWER: A B

QUESTION NO: 14

A network administrator needs to use a dedicated management workstation to access the network equipment. Which of the following would allow the administrator to manage the workstation via a GUI?

- A. VPN
- B. SSH
- C. SFTP
- D. RDP

ANSWER: D

QUESTION NO: 15

Which of the following protocols do MOST MITM attacks utilize?

- A. ARP
- B. SIP
- C. FTP
- D. SCP

ANSWER: A

QUESTION NO: 16 - (SIMULATION)

SIMULATION

After recent changes to the pictured network, several users are unable to access the servers. Only PC1, PC2, PC3, and PC4 are clickable and will give you access to the command prompt and the adapter configuration tabs.

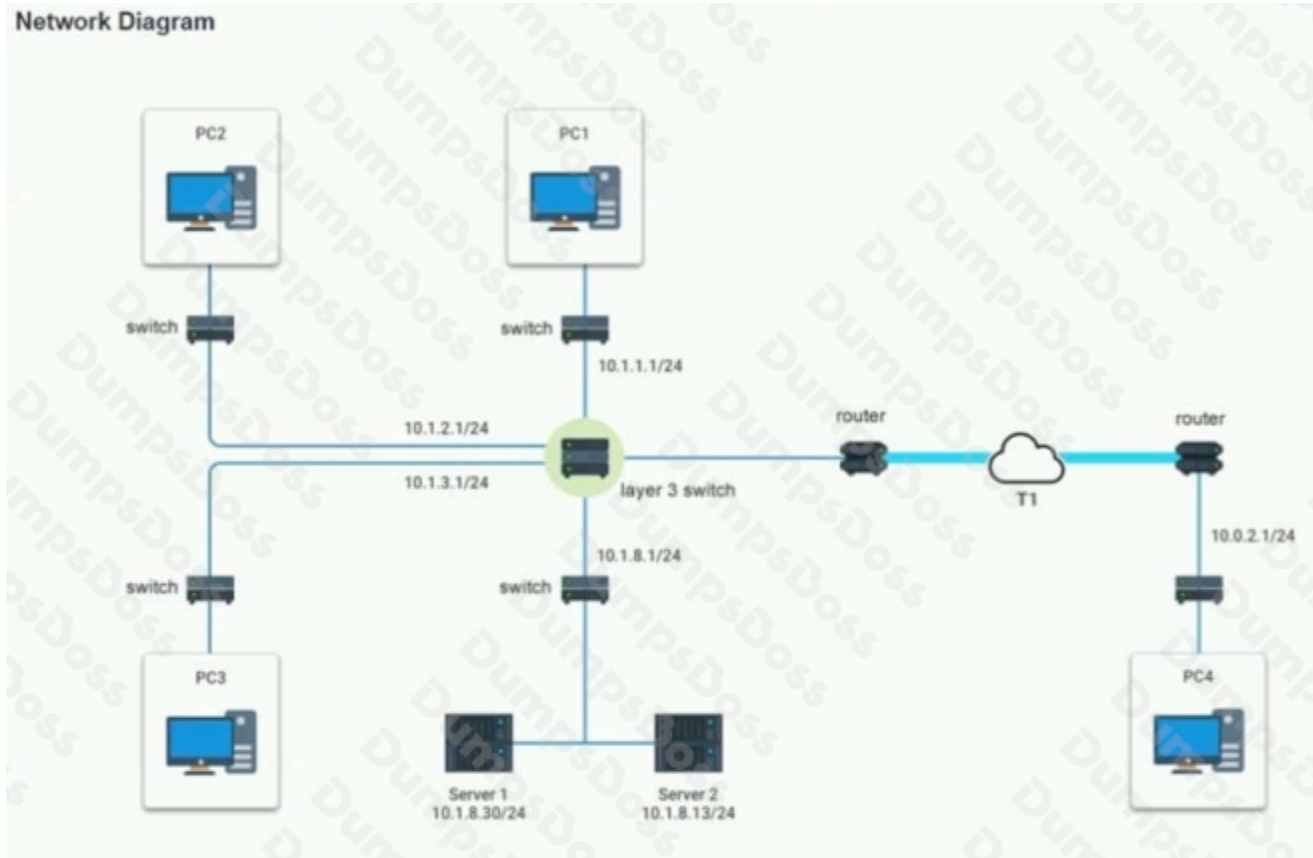
INSTRUCTIONS

Verify the settings by using the command prompt, after making any system changes.

Next, restore connectivity by making the appropriate changes to the infrastructure.

If at any time you would like to bring back the initial state of the simulation, please click the Reset All button.

Network Diagram



PC1

Adapter Configuration

Command Prompt

You can get IP settings automatically if your network supports this capability. Otherwise, you need to ask your network administrator for the appropriate settings.

Obtain an IP address automatically

Use the following IP address

IP address	10	.	1	.	1	.	129
Subnet mask	255	.	255	.	255	.	0
Default gateway	10	.	1	.	1	.	1

Obtain DNS server address automatically

Use the following DNS server addresses

Obtain DNS server addresses automatically

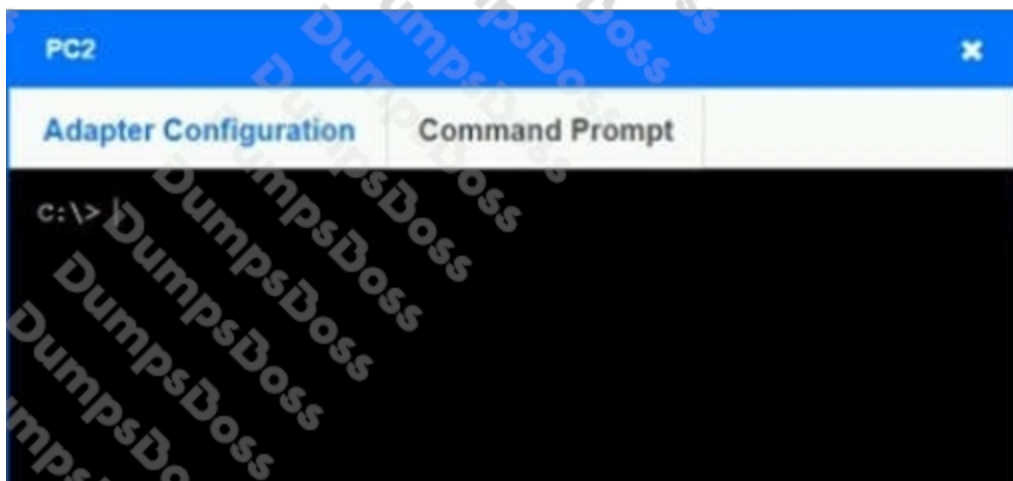
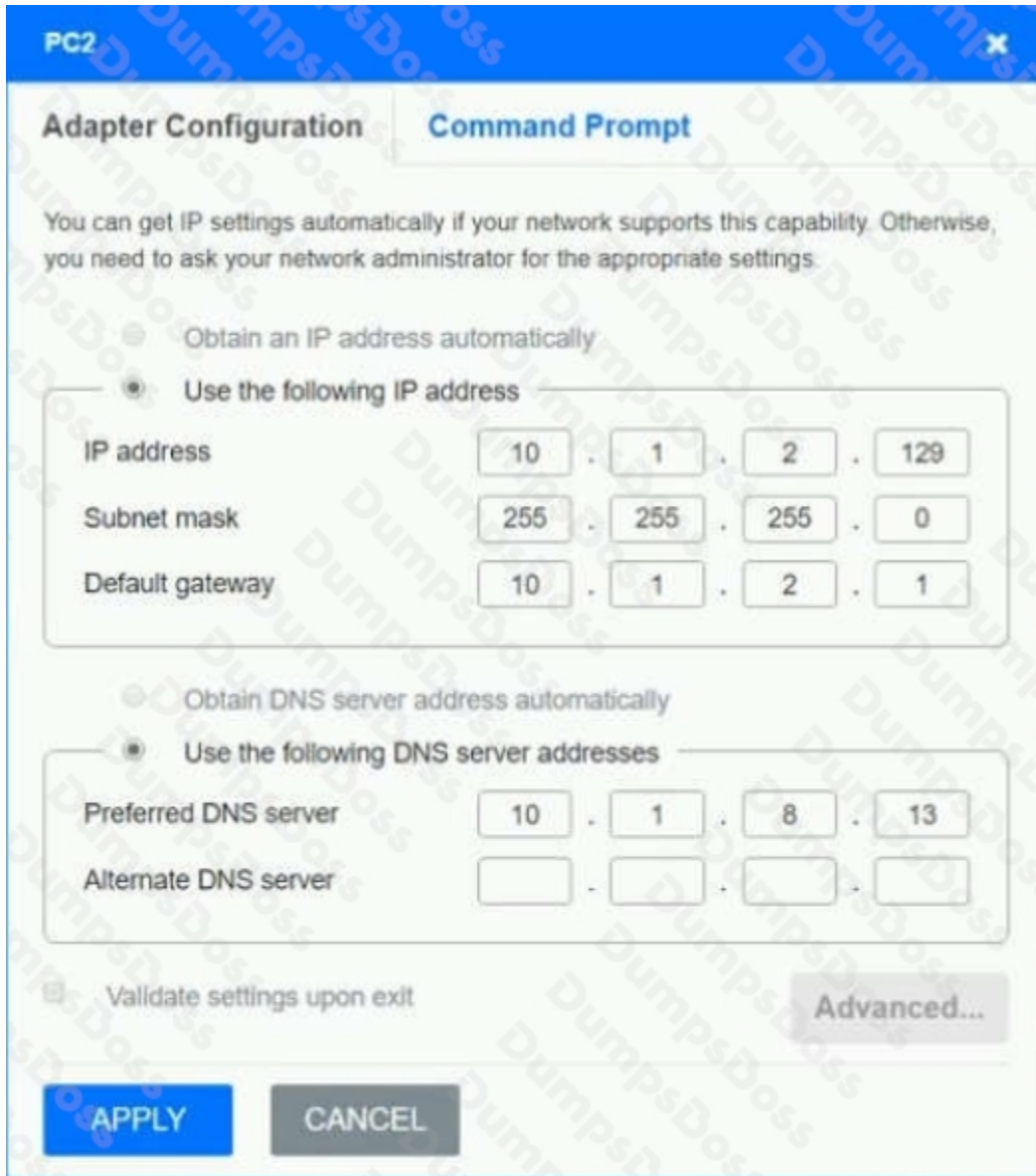
Use the following DNS server addresses

Preferred DNS server: . . .

Alternate DNS server: . . .

Validate settings upon exit







PC3

Adapter Configuration **Command Prompt**

You can get IP settings automatically if your network supports this capability. Otherwise, you need to ask your network administrator for the appropriate settings.

Obtain an IP address automatically

Use the following IP address

IP address	10	.	1	.	3	.	129
Subnet mask	255	.	255	.	255	.	128
Default gateway	10	.	1	.	3	.	1

Obtain DNS server address automatically

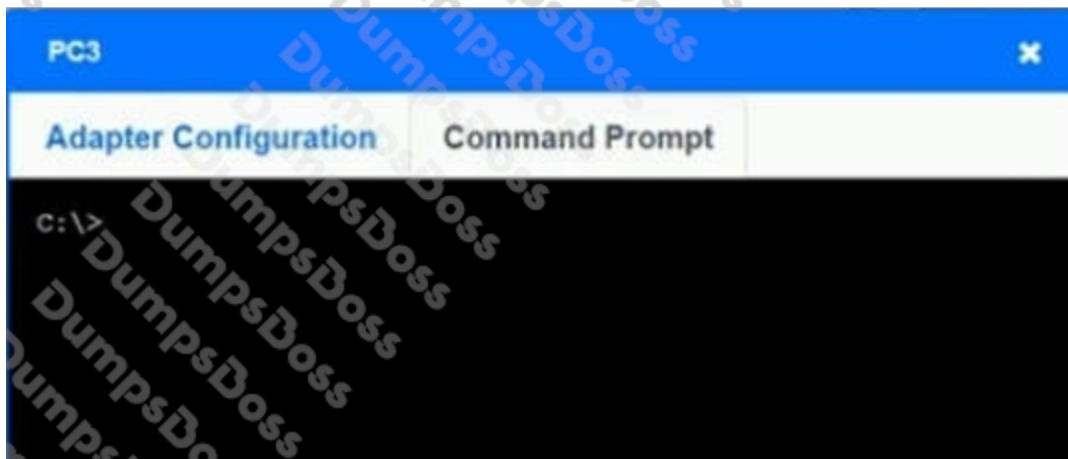
Use the following DNS server addresses

Preferred DNS server	10	.	1	.	8	.	13
Alternate DNS server		.		.		.	

Validate settings upon exit

Advanced...

APPLY **CANCEL**





PC4

Adapter Configuration **Command Prompt**

You can get IP settings automatically if your network supports this capability. Otherwise, you need to ask your network administrator for the appropriate settings.

Obtain an IP address automatically

Use the following IP address

IP address	10	.	0	.	2	.	129
Subnet mask	255	.	255	.	255	.	0
Default gateway	10	.	1	.	2	.	1

Obtain DNS server address automatically

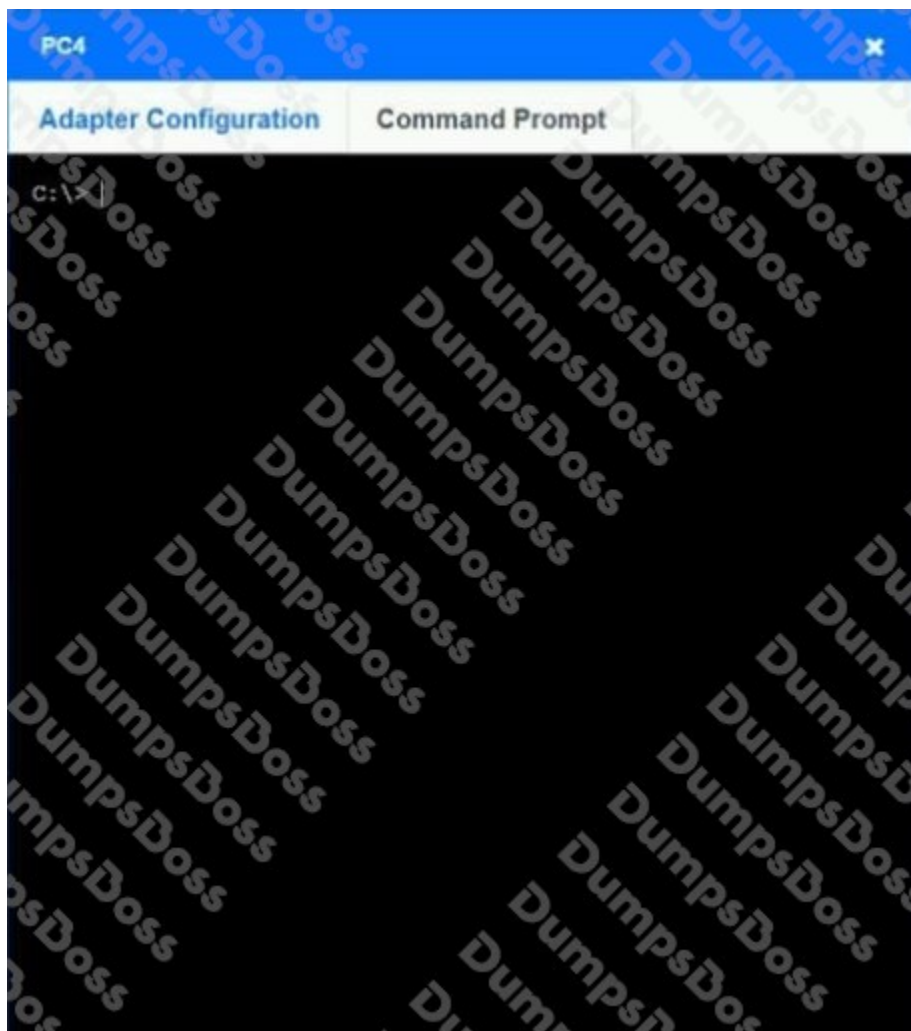
Use the following DNS server addresses

Preferred DNS server	10	.	1	.	8	.	13
Alternate DNS server		.		.		.	

Validate settings upon exit

Advanced...

APPLY **CANCEL**



ANSWER: See explanation below.

Explanation:

On PC3, change the subnet mask to 255.255.255.0. When it is set to 255.255.255.128, then the PC with a .129 address will not be on the same subnet as the default gateway which is .1 On PC4, change the default gateway to 10.0.2.1. It has been incorrectly set as 10.1.2.1.

QUESTION NO: 17

A company recently completed construction of a new remote office. The network administrator needs to set up new network devices, such as printers and a local file server, at the remote location. The new devices need to be configured on the same Layer 2 network as the main office. Which of the following should the network administrator configure?

- A. Remote desktop gateway
- B. Transport mode IPsec
- C. SSH tunneling

D. TLS VPN

ANSWER: D

QUESTION NO: 18

A wireless administrator needs to implement an authentication method that provides individualized, scalable security for the users of a WLAN where roaming is a regular event. PKI is not available. Which of the following BEST addresses the requirements of this topology?

- A. TLS
- B. MAC filtering
- C. TKIP-RC4
- D. EAP-FAST

ANSWER: D

QUESTION NO: 19

Which of the following allows for file-level network storage?

- A. SAN
- B. iSCSI
- C. FCoE
- D. NAS

ANSWER: D

QUESTION NO: 20

A network administrator gets a call regarding intermittent network outages across the country. Which of the following should be used to connect to the network so the administrator can troubleshoot this issue from home? (Choose two.)

- A. FTP
- B. SMTP
- C. VPN
- D. SSH

E. SNMP

ANSWER: C D