

# DUMPSBOSS.

**Data Center - Professional (JNCIP-DC)**

**Juniper JN0-681**

**Version Demo**

**Total Demo Questions: 10**

**Total Premium Questions: 65**

**Buy Premium PDF**

**<https://dumpsboss.co>**

**[support@dumpsboss.co](mailto:support@dumpsboss.co)**

**support@dumpsboss.co**  
**dumpsboss.co**

## QUESTION NO: 1

Referring to the exhibit, what would cause the problem on VCP 0/50?

```
{master:0}
user@gfx1> show virtual-chassis vc-port

fpc0:
-----
-----
Interface Type           Trunk   Status
Speed      Neighbor   ID
or          (mbps)   ID Interface
PIC / Port
0/50        Configured -1      Down
40000
```

- A. The VCP has been disabled through configuration.
- B. The remote side is not configured as a VCP.
- C. VCP 0/50 is configured as a network port.
- D. The port is missing the interface hardware.

**ANSWER: A**

## QUESTION NO: 2

A company wants to expand their hosting business and is seeking solutions to support multiple tenants. Each tenant should be able to configure their own logical interfaces. Also, based on customer needs, all routing features must be supported.

What will satisfy the customer's requirements?

- A. routing instances
- B. tenant systems
- C. logical systems

D. bridge domains

**ANSWER: A**

## QUESTION NO: 3

Which two statements define the use of route targets and route distinguishers in an EVPN? (Choose two.)

- A. Route targets ensure that routes from different clients remain unique within the data center domain.
- B. Route targets identify the VRF into which the route should be placed.
- C. Route distinguishers ensure that routes from different clients remain unique within the data center domain.
- D. Route distinguishers identify the VRF into which the route should be placed.

**ANSWER: B C**

## QUESTION NO: 4

You are implementing perimeter security for your data center. You need to inspect all traffic at Layer 7 and ensure the failure of a port or device will not result in an interruption to traffic flows.

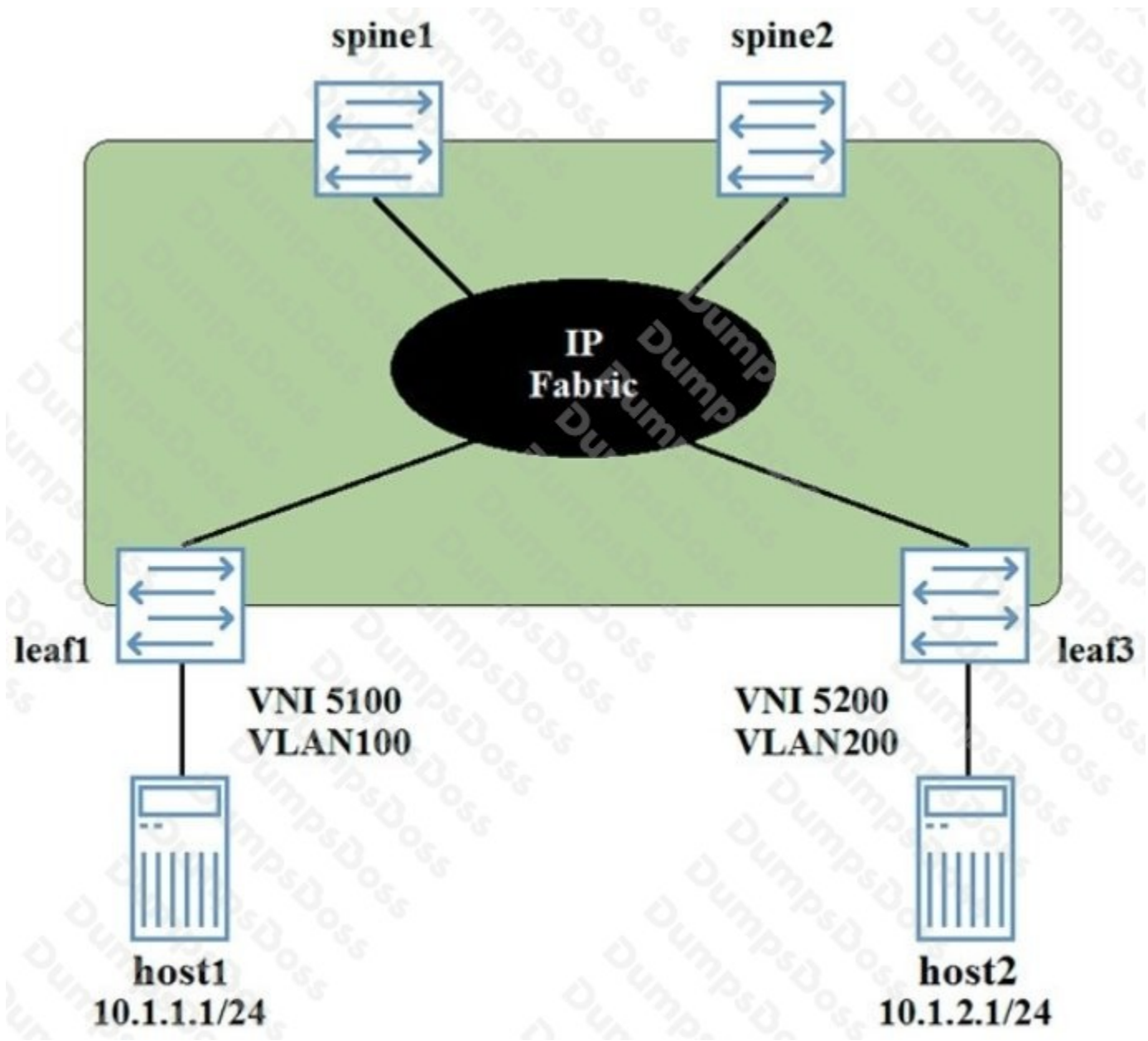
In this scenario, which design would satisfy these requirements?

- A. SRX using LAG
- B. MX with MC-LAG
- C. QFX Virtual Chassis
- D. SRX chassis cluster

**ANSWER: D**

## QUESTION NO: 5

Host1 and host2 are connected to an EVPN signaled VXLAN overlay, and must have Layer 3 connectivity. The VNI and VLAN assignments are shown in the exhibit.



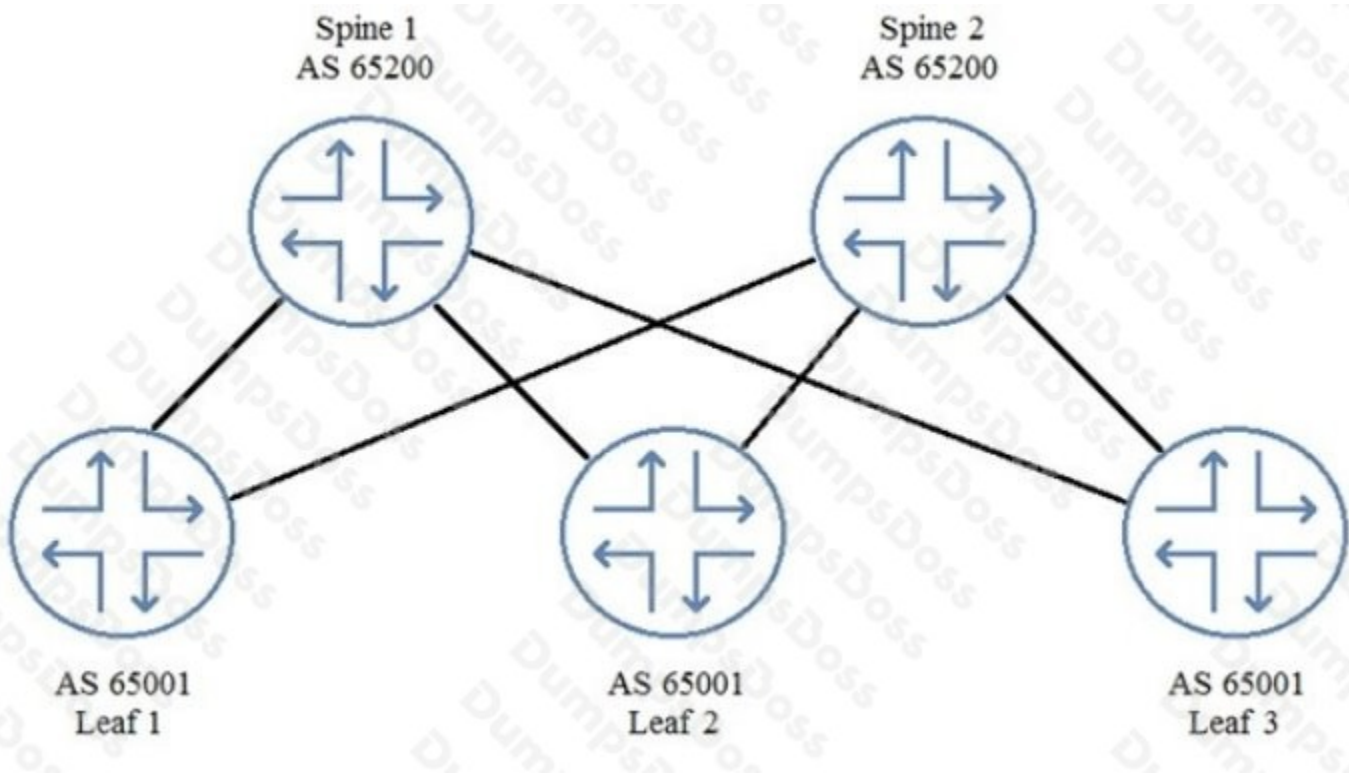
In this scenario, which two statements are true? (Choose two.)

- A. The ESI assigned to the host1 link will be different from the ESI assigned to the host2 link.
- B. The VNI assigned to the host1 link must be the same as the VNI assigned to the host2 link.
- C. A Layer 3 gateway can be configured on the spine devices.
- D. A Layer 3 gateway can be configured on the leaf devices.

**ANSWER: C D**

**QUESTION NO: 6**

Referring to the exhibit, not all routes are being exchanged by EBGP peers.



In this scenario, which BGP parameter would solve this problem?

- A. multihop
- B. multipath
- C. multipath multiple-as
- D. as-override

**ANSWER: D**

**QUESTION NO: 7**

Which two combinations are supported when configuring a Virtual Chassis Fabric? (Choose two.)

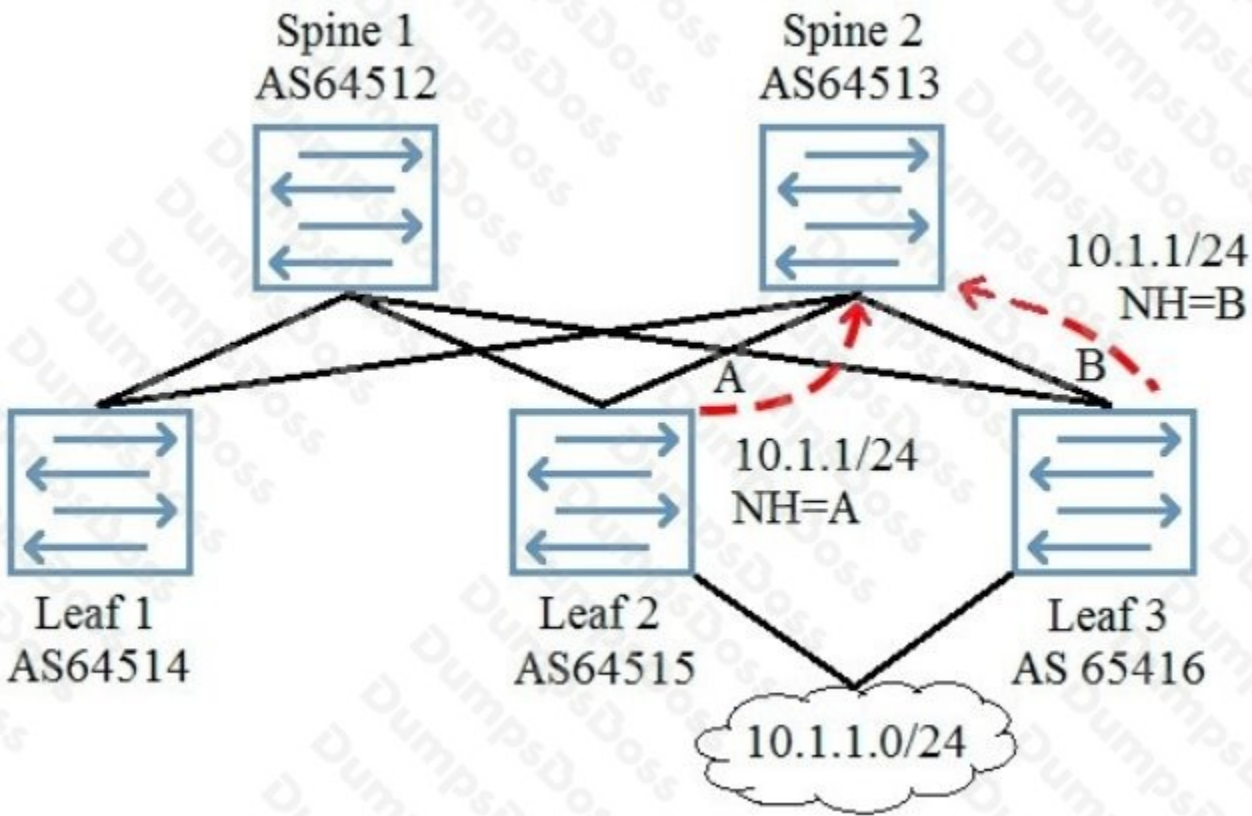
- A. two spine nodes and 28 leaf nodes
- B. four spine nodes and 20 leaf nodes
- C. four spine nodes with 16 leaf nodes

D. two spine nodes and 16 leaf nodes

**ANSWER: C D**

## QUESTION NO: 8

Referring to the exhibit, each node in the IP fabric is peering to its directly attached neighbor using EBGP. Each node is peering using physical interface IP addresses. Leaf 2 and Leaf 3 are advertising the 10.1.1/24 network into EBGP. Spine 2 must be configured so that it can load-share traffic destined to the 10.1.1/24 network over both next-hop A and next-hop B.



Which two actions must be performed to accomplish this task? (Choose two.)

- A. Use a load-balancing policy applied to the forwarding table.
- B. Use multipath multiple-AS.
- C. Use advertise-inactive.
- D. Use multihop.

**ANSWER: A B**

## QUESTION NO: 9

You have configured a new MC-LAG connection to a host. After committing the configuration, the MC-LAG link is not functioning properly.

```
(master:0)[edit interfaces ael]
user@gfx1# show
aggregated-ether-options {
  lacp {
    active;
    system-id 01:01:01:01:01:01;
    admin-key 1;
  }
  mc-ae {
    mc-ae-id 0;
    chassis-id 0;
    mode active-active;
    status-control active;
  }
}
unit 0 {
  family ethernet-switching {
    vlan {
      members v15;
    }
  }
}

(master:0)[edit interfaces ael]
user@gfx2# show
aggregated-ether-options {
  lacp {
    active;
    system-id 01:01:01:01:01:01;
    admin-key 1;
  }
  mc-ae {
    mc-ae-id 1;
    chassis-id 1;
    mode active-active;
    status-control standby;
  }
}
unit 0 {
  family ethernet-switching {
    vlan {
      members v15;
    }
  }
}
```

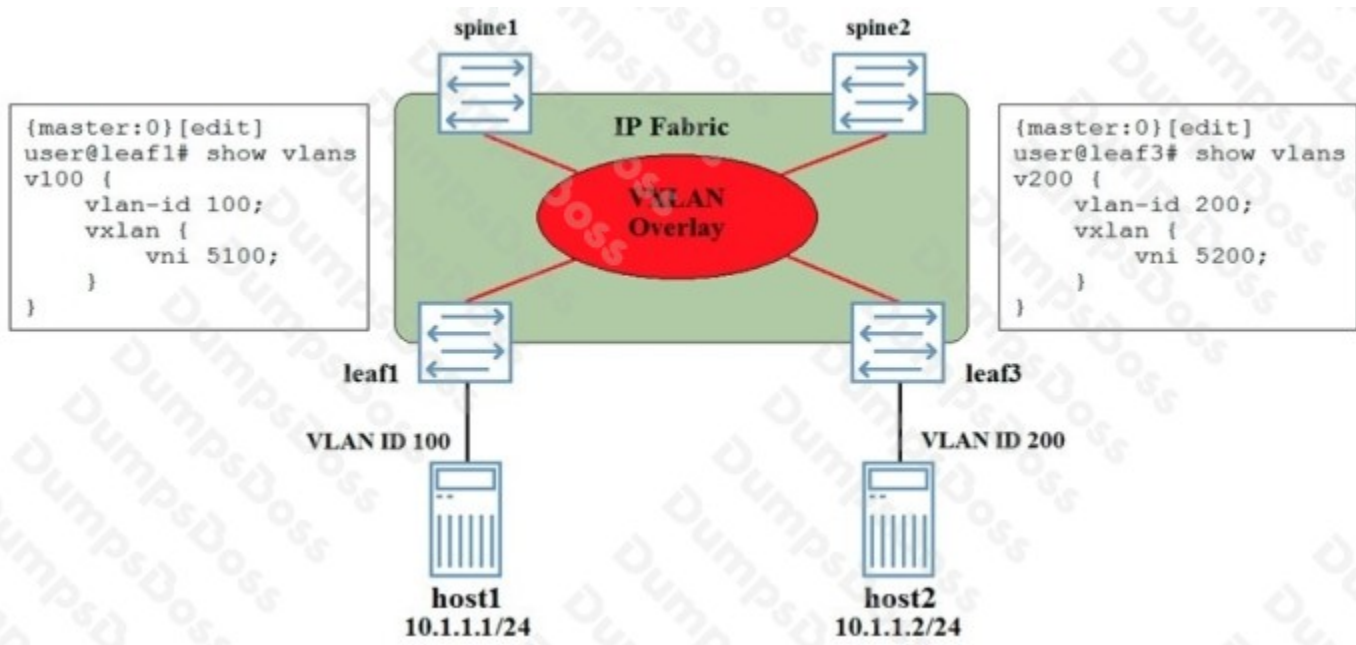
Referring to the exhibit, how would you solve this problem?

- A. Change the chassis-id on qfx1 to 1.
- B. Configure a system-id on qfx1 that is different from the system-id on qfx2.
- C. Configure the status-control on qfx2 to active.
- D. Change the mc-ae-id on qfx1 to 1.

**ANSWER: D**

## QUESTION NO: 10

Devices spine1 and spine2 have been configured as distributed Layer 3 gateways in the VXLAN topology, and devices leaf1 and leaf3 have been configured as Layer 2 gateways. Device host1 must be able to communicate with device host2.



Referring to the exhibit, which two statements are true? (Choose two.)

- A. An IRB interface must be configured on devices leaf1 and leaf2.
- B. Traffic from host1 to host2 will transit the VXLAN tunnel from leaf1 to leaf3.
- C. Traffic from host1 to host2 will transit a VXLAN tunnel to spine1 or spine2, then a VXLAN tunnel from spine1 or spine2 to leaf3.
- D. An IRS interface must be configured on devices spine1 and spine2.

**ANSWER: C D**