

DUMPSBOSS.

Enterprise Routing and Switching-Professional (JNCIP-ENT)

Juniper JN0-648

Version Demo

Total Demo Questions: 10

Total Premium Questions: 90

Buy Premium PDF

<https://dumpsboss.co>

support@dumpsboss.co

support@dumpsboss.co
dumpsboss.co

QUESTION NO: 1

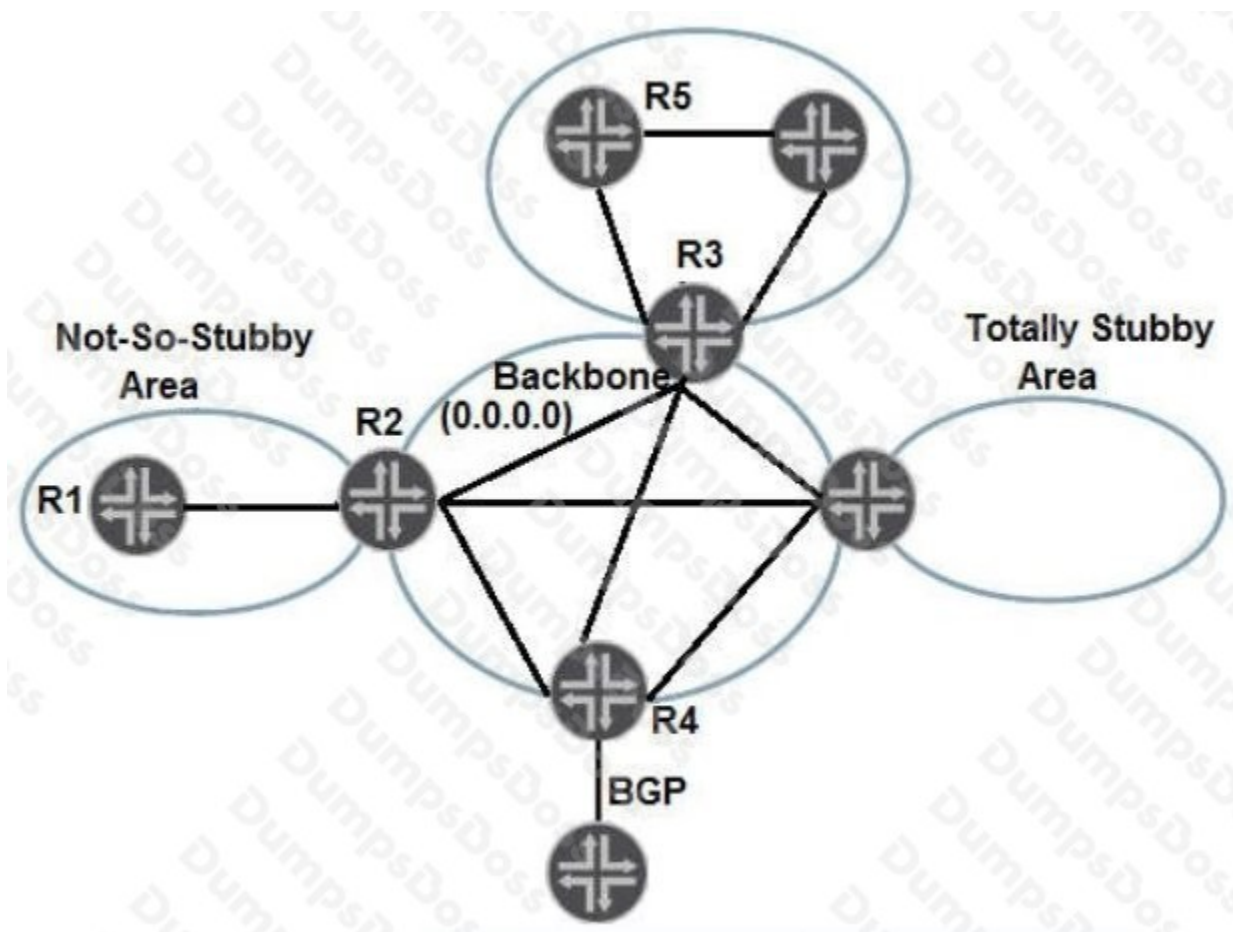
What are two supported PoE management modes? (Choose two.)

- A. class
- B. standalone
- C. static
- D. mixed

ANSWER: A C

QUESTION NO: 2

Click the Exhibit button.



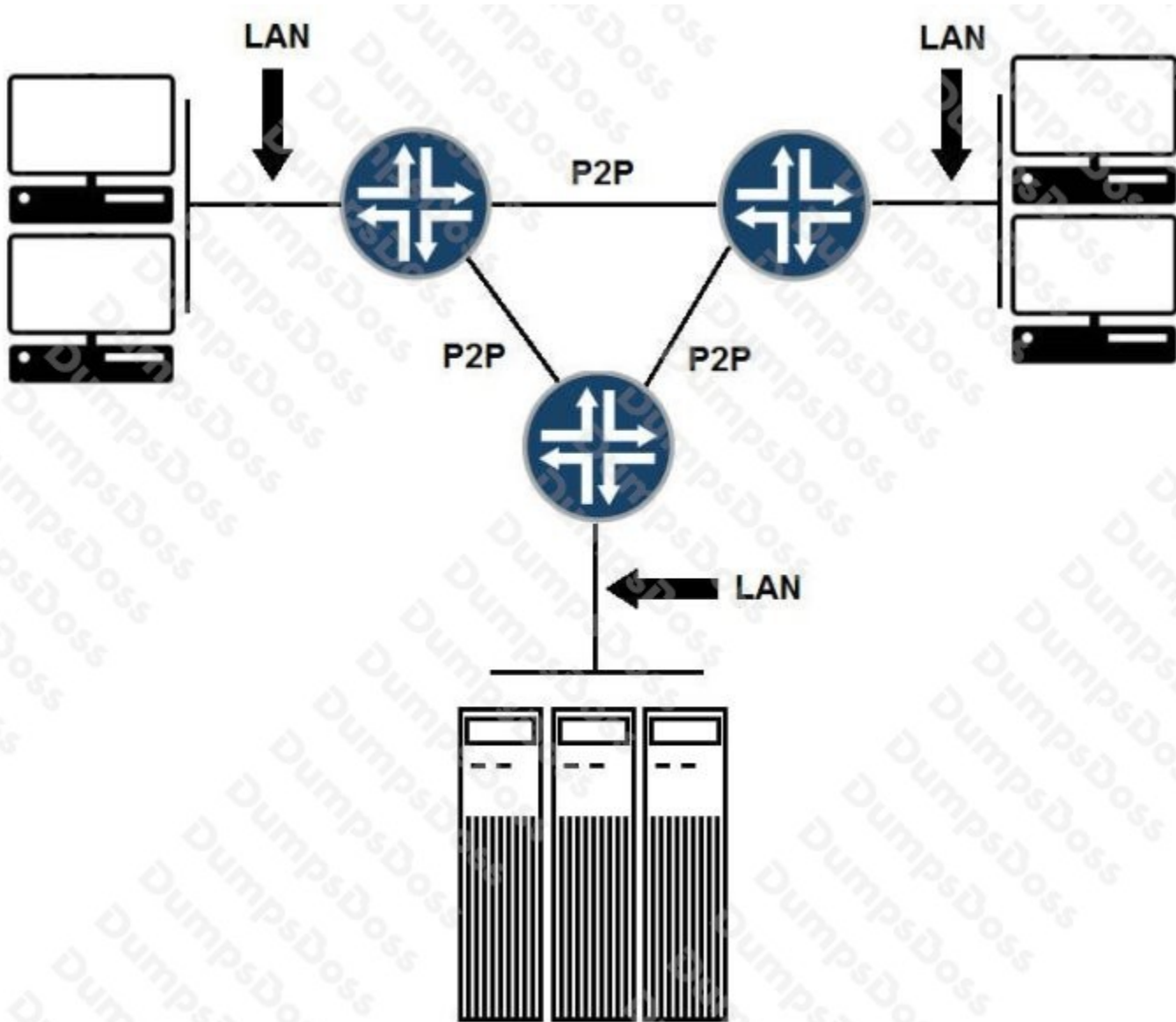
Referring to the exhibit, how is R5 able to learn the networks that exist within the NSSA?

- A. R5 learns those networks from Type 3 LSAs advertised by R2.
- B. R5 learns those networks from Type 3 LSAs advertised by R3.
- C. R5 does not learn those networks and uses a default route advertised by R3 instead.
- D. R5 does not learn those networks but uses a default route advertised by R2 instead.

ANSWER: D

QUESTION NO: 3

Click the Exhibit button.



Referring to the exhibit, which two statements are true with regards to deploying CoS? (Choose two.)

- A. You should apply MF classifiers on the LAN-facing interfaces of the routers.
- B. You should apply MF classifiers on the point-to-point interfaces of the routers.
- C. You should apply BA classifiers on the point-to-point interfaces of the routers.
- D. You should apply BA classifiers on the LAN-facing interfaces of the routers.

ANSWER: A C

QUESTION NO: 4

You have configured CoS on a Junos device. A packet is classified as best effort by a behavior aggregate (BA) classifier, and as expedited forwarding by a multifield (MF) classifier.

Which statement is true in this scenario?

- A. The packet will be placed in a queue associated with the BA classifier.
- B. The packet will be placed into the queue which is least congested.
- C. The packet will be placed into the queue that has the most bandwidth assigned to it.
- D. The packet will be placed in a queue associated with the MF classifier.

ANSWER: A

QUESTION NO: 5

Which three types of ports are used for Junos Fusion Enterprise? (Choose three.)

- A. extended port
- B. authenticated port
- C. cascade port
- D. uplink port
- E. designated port

ANSWER: A C D

QUESTION NO: 6

Click the Exhibit button.

```
user@router> show ospf interface extensive
ge-0/0/0.0    PtToPt      0.0.0.0      0.0.0.0      0.0.0.0      1
  Type: P2P, Address: 10.10.10.14, Mask: 255.255.255.252, MTU: 1500, Cost: 1
  Adj count: 1
  Hello: 10, Dead: 40, ReXmit: 5, Not Stub
  Auth type: None
  Protection type: None
  Topology default (ID 0) -> Cost: 1
ge-0/0/1.0    DR          0.0.0.0      172.29.0.4    172.29.0.2    1
  Type: LAN, Address: 10.10.10.10. Mask: 255.255.255.252, MTU: 1500, Cost: 1
  DR addr: 10.10.10.10, BDR addr: 10.10.10.9, Priority: 128
  Adj count: 1
  Hello: 10, Dead: 40, ReXmit: 5, Not Stub
  Auth type: None
  Protection type: None
  Topology default (ID 0) -> Cost: 1
```

Referring to the exhibit, which two statements are true? (Choose two.)

- A. There can be more than one OSPF neighbor on the ge-0/0/1 interface.
- B. There can be more than one OSPF neighbor on the ge-0/0/0 interface.
- C. There is no need for a DR for the ge-0/0/0 interface.
- D. The DR election process is not finished for the ge-0/0/0 interface.

ANSWER: A C

QUESTION NO: 7

Which two statements are correct about a functional ESI LAG interface? (Choose two.)

- A. The LACP system ID must be the same.
- B. The ESI values must be the same.
- C. The LACP system ID must be different.
- D. The ESI values must be different.

ANSWER: A B

QUESTION NO: 8

You are deploying IP phones in your Layer 2 network and are asked to ensure that the switch sends VLAN and CoS information to the IP phones automatically.

In this scenario, which protocol should be used?

- A. PoE+
- B. LLDP
- C. LLDP-MED
- D. PoE

ANSWER: C

QUESTION NO: 9

You have PIM SM multicast configured and running in a network environment comprised of EX4300 devices. Your customers report increased delay when switching channels using IPTV. To help decrease the delay, you implement PIM join load balancing. You add the set protocols pim join-load-balance command to the configuration. After committing, you notice that the flows are still using only one path.

In this scenario, which statement is correct?

- A. The clear pim join-distribution command must be issued.
- B. The interfaces must be specified to use for load balancing.
- C. IGMP snooping must also be configured.
- D. PIM join load-balancing only works for PIM-DM.

ANSWER: A

QUESTION NO: 10

You must ensure that all management traffic sourced from your Junos devices is set with a specific DSCP code-point value.

Which action will accomplish this task?

- A. Apply the DSCP code-point to the [edit class-of-service host-outboundtraffic] hierarchy.
- B. Apply the DSCP code-point to the [edit class-of-service interface lo0.0] hierarchy
- C. Apply the DSCP code-point in an egress policer.
- D. Apply the DSCP code-point to a rewrite rule.

ANSWER: A