

DUMPSBOSS.

**Armed Services Vocational Aptitude Battery
Test: General Science, Arithmetic Reasoning,
Word Knowledge, Paragraph Comprehension,
Mathematics Knowledge, Electronics
Information, Automotive & Shop Information,
Mechanical Comprehension, Assembling
Objects**

Test Prep ASVAB-Test

Version Demo

Total Demo Questions: 20

Total Premium Questions: 1893

Buy Premium PDF

<https://dumpsboss.co>
support@dumpsboss.co

support@dumpsboss.co
dumpsboss.co

Topic Break Down

Topic	No. of Questions
Topic 1, Arithmetic Reasoning	257
Topic 2, Auto and Shop Information	206
Topic 3, Electronic Information	180
Topic 4, General Science	209
Topic 5, Mathematical Knowledge	227
Topic 6, Paragraph Comprehension	152
Topic 7, Word Knowledge	325
Topic 8, Mechanical Comprehension	187
Topic 9, Assembling Objects	150
Total	1893

QUESTION NO: 1

_____ is the name given to the orbit an electron resides in around an atom.

- A. circulation
- B. shell
- C. field
- D. level

ANSWER: B

QUESTION NO: 2

A computer programmer is making \$25,000 per year. 28% of her salary is withheld for federal and state deductions.

How much is the computer programmer's net pay?

- A. \$20,000
- B. \$7,000
- C. \$18,750
- D. \$18,000

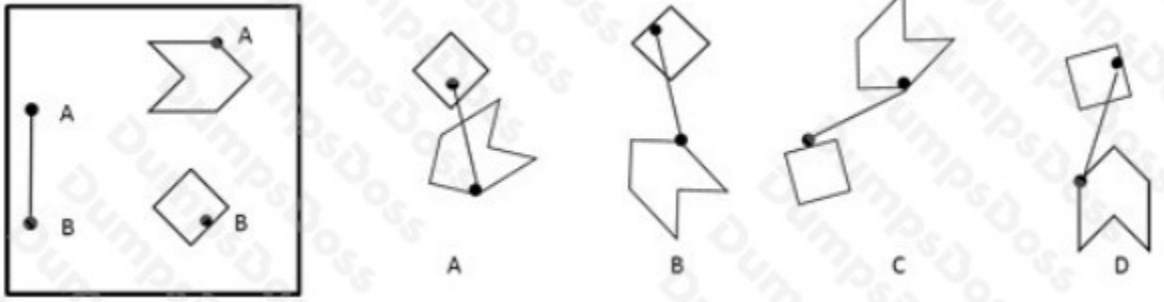
ANSWER: D

Explanation:

Calculate the amount of the deduction by multiplying her salary by the percent deducted: $\$25,000 \times 28\% = \$25,000 \times 0.28 = \$7,000$. Subtract that product from the salary to determine the net pay: $\$25,000 - \$7,000 = \$18,000$.

QUESTION NO: 3

Which figure best shows how the objects in the left box will touch if the letters for each object are matched?



- A. Option A
- B. Option B
- C. Option C
- D. Option D

ANSWER: D

QUESTION NO: 4

At Joe's Restaurant, one-fourth of the patrons are male and one-fifth of the patrons are from out of town.

What proportion would you expect to be male and out of town?

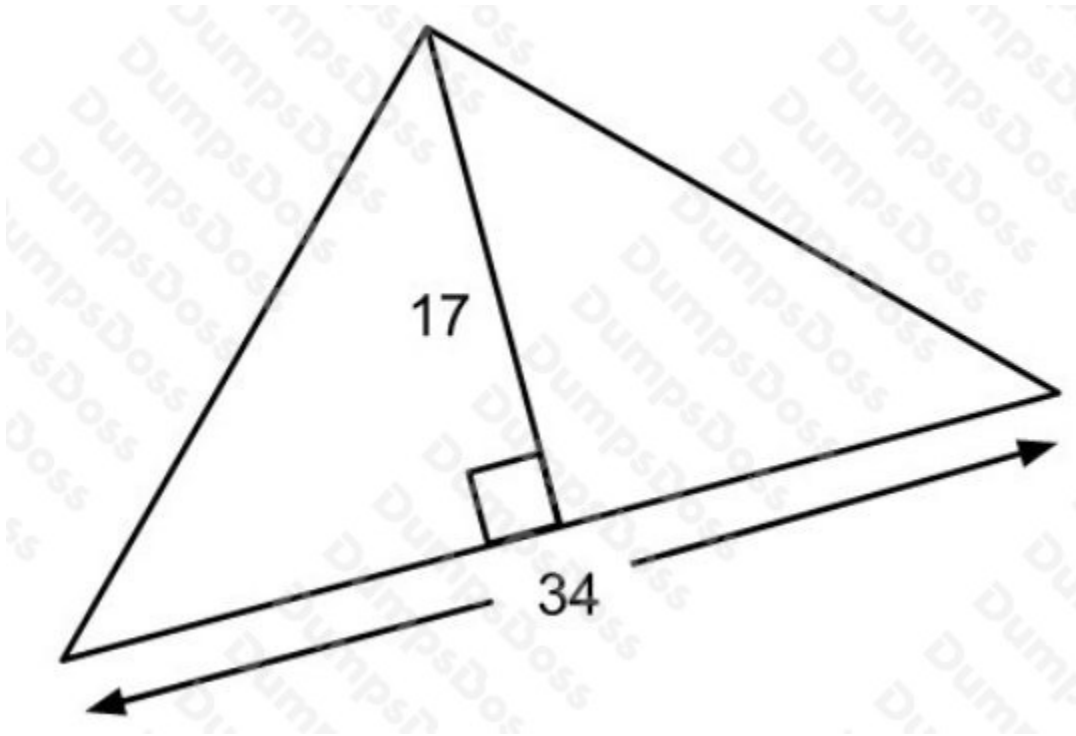
- A. $1/5$
- B. $1/10$
- C. $1/20$
- D. $1/25$
- E. $1/50$

ANSWER: C

Explanation:

If one-fourth of the patrons are male, then you would expect one-fourth of the out-of-town patrons to be male. One fourth of one-fifth is $1/20$.

QUESTION NO: 5



In the given diagram, what is the area of the triangle?

- A. 26
- B. 51
- C. 289
- D. 102

ANSWER: C

QUESTION NO: 6

Determine which of the choices best solves the problem shown in the first picture. The problem is presented in the first drawing and the remaining four drawings are possible solutions.



- A. Option A

- B. Option B
- C. Option C
- D. Option D

ANSWER: B

QUESTION NO: 7

In Africa, there lives an interesting tribe of people: the Pygmies. They make their home in what used to be called Zaire, but is now the Democratic Republic of Congo. Pygmies are nomadic, wandering around, hunting, and procuring their own food. They have light-colored skin of a yellowish-brown shade and can also be found in rain forests of the Philippines and India.

The word nomadic, as used in the above passage, most nearly means _____.

- A. aggressive
- B. uneducated
- C. wandering
- D. barbarian

ANSWER: C

QUESTION NO: 8

In arc welding, TIG stands for _____.

- A. Turner Insertion Gas
- B. Tungsten Inert Gas
- C. Torch Inert Gasification
- D. Tin Impressible Galvanisation

ANSWER: B

Explanation:

In arc welding, TIG stands for Tungsten Inert Gas.

QUESTION NO: 9

On a trip to the beach you travel 200 miles in 300 minutes.

How fast did you travel?

- A. 30 mph
- B. 40 mph
- C. 50 mph
- D. 60 mph

ANSWER: B

Explanation:

First convert the 300 minutes to hours by dividing by 60 ($300 \div 60 = 5$ hours). Use the distance formula ($d = rt$) and substitute the known values. $300 = 5r$. $r = 40$.

QUESTION NO: 10

The sum of two numbers is 84. One number is 6 more than the other.

What is the smaller of the two numbers?

- A. 32
- B. 39
- C. 33
- D. 35

ANSWER: B

QUESTION NO: 11

Ascorbic acid is also known as _____.

- A. Vitamin B12
- B. Vitamin E
- C. Vitamin C
- D. Vitamin A

ANSWER: C

Explanation:

Vitamin C is also known as ascorbic acid.

QUESTION NO: 12

A crate containing a puppy weighs 60 pounds, 5 ounces. The puppy weighs 43 pounds, 7 ounces.

How much does the crate alone weigh?

- A. 16 pounds, 8 ounces
- B. 16 pounds, 2 ounces
- C. 17 pounds
- D. 16 pounds, 14 ounces

ANSWER: D**Explanation:**

16 ounces make a pound. Subtract 43 pounds, 7 ounces (the weight of the puppy) from 59 pounds, 21 ounces (the weight of the crate). 59 pounds, 21 ounces is the same as 60 pounds, 5 ounces, but converting an additional pound to ounces makes the subtraction possible. $59 \text{ pounds, } 21 \text{ ounces} - 43 \text{ pounds, } 7 \text{ ounces} = 16 \text{ pounds, } 14 \text{ ounces}$

QUESTION NO: 13

In privatization, the government relies on the private sector to provide a service. However, the government divests itself of the entire process, including all assets. With privatized functions, the government may specify quality, quantity, and timeliness requirements, but it has no control over the operations of the activity. Also, the government may not be the only customer. Whoever the government chooses to provide the services would likely provide the same services to others.

This paragraph best supports the statement that _____.

- A. the government must closely supervise privatized functions
- B. privatized functions consist of a mixture of government employees, military personnel, and private contractors
- C. privatized functions are those institutions that provide services only to a government agency
- D. privatized functions provide essential services to the government

ANSWER: D**Explanation:**

Privatized functions operate independently of the government, making Choices "the government must closely supervise privatized functions" and "privatized functions consist of a mixture of government employees, military personnel, and private contractors" incorrect.

The passage states that privatized functions may sell goods and services to other customers as well as the government, so Choice "privatized functions are those institutions that provide services only to a government agency" is also incorrect.

Choice "privatized functions provide essential services to the government" is the correct answer, as privatized functions do perform essential services to government agencies.

QUESTION NO: 14

When meshing or interlocking gears have different numbers of teeth, _____.

- A. relative speeds depend on the speed of the drive aide for both
- B. both gears will rotate at the same speed
- C. the gear with more teeth will rotate fester than the gear with fewer teeth
- D. the gear with fewer teeth will rotate fester than the gear with more teeth

ANSWER: D

Explanation:

When meshing or interlocking gears have different numbers of teeth, the gear with fewer teeth will rotate faster than the gear with more teeth. If two gears are meshed, both cannot be driven or something will break – one must be driving and one must be driven.

QUESTION NO: 15

The suburb of Hewitt has a private subdivision that has a pool in the shape of a quadrilateral.

If the subdivision wants to put a lifeguard on each side of the pool, how many lifeguards will be needed?

- A. eight
- B. six
- C. four
- D. three

ANSWER: C

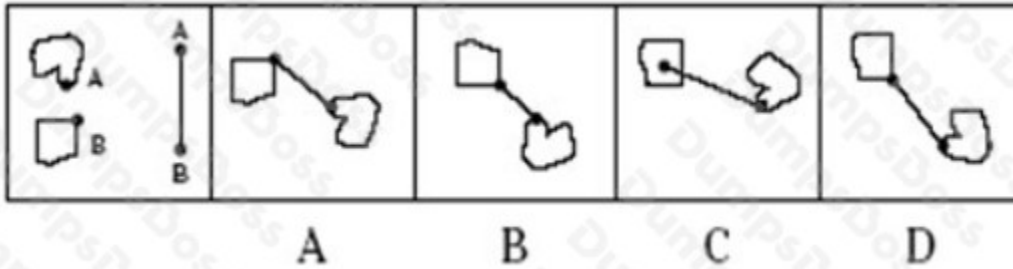
Explanation:

Since a quadrilateral is a four-sided figure, the subdivision will need four lifeguards. A quadrilateral, by definition, has four sides.

Whether the sides are parallel – a parallelogram – or if all four sides are equal and all four angles are right angles – a square – there are still four sides, and, therefore, four lifeguards.

QUESTION NO: 16

Determine which of the choices best solves the problem shown in the first picture. The problem is presented in the first drawing and the remaining four drawings are possible solutions.



- A. Option A
- B. Option B
- C. Option C
- D. Option D

ANSWER: D

QUESTION NO: 17

Amanda earns an average of \$22 an hour in tips as a waitress at the best steak restaurant in town.

If her hourly wage is \$2.50 and she has to pay a 10% tip share to the hostesses and busboys, how much does she take home at the end of a day when she worked from 10:00 a.m. to 5:00 p.m.?

- A. \$32.90
- B. \$121.11
- C. \$138.60
- D. \$156.10

ANSWER: D

Explanation:

First, calculate the amount of Amanda's hourly wages for a shift of 10:00 a.m. to 5:00 p.m., which is seven hours.

$$7 \times \$2.50 = \$17.50$$

Next, calculate the amount of Amanda's tips for her seven-hour shift.

$$7 \times \$22 = \$154$$

Now, calculate the amount of her tips she has to share with the busboys and hostesses. $\$154 \times 0.10 = \15.40 Now add everything up.

Wages	\$17.50
Tips	\$154.00
Tip share	\$15.40
Net pay	\$156.10

QUESTION NO: 18

All of the laws enforced by Equal Employment Opportunity Commission, except for the Equal Pay Act, require you to file a Charge of Discrimination before you can file a job discrimination lawsuit against your employer. In addition, an individual, organization, or agency may file a charge on behalf of another person in order to protect the aggrieved person's identity. There are time limits for filing a charge.

The word aggrieved, as used in the above passage, most nearly means _____.

- A. distressed
- B. wounded
- C. pained
- D. upset

ANSWER: A

QUESTION NO: 19

Impedance is represented by the symbol _____.

- A. XL
- B. R
- C. XC
- D. Z

ANSWER: D

Explanation:

Impedance is the total opposition to current flow in a circuit. It has its own symbol, Z.

QUESTION NO: 20

What number is referred to as "absolute zero"?

- A. 0 degrees Farenheit
- B. 0 Kelvin
- C. -100 degrees Celsius
- D. 0 degrees Celsius

ANSWER: B