

DUMPSBOSS.

**Specialist - Technology Architect. PowerMax
and VMAX All Flash Solutions Exam**

EMC DES-1111

Version Demo

Total Demo Questions: 10

Total Premium Questions: 60

Buy Premium PDF

<https://dumpsboss.co>

support@dumpsboss.co

**support@dumpsboss.co
dumpsboss.co**

QUESTION NO: 1

A TimeFinder SnapVX snapshot of source volumes is linked to target volumes. The target volumes are being used for application testing.

What is recommended prior to a relink operation?

- A. Stop accessing both the source volumes and the target volumes
- B. Continue accessing the source volumes; stop accessing the target volumes
- C. Stop accessing the source volumes; continue accessing the target volumes
- D. Continue accessing both the source volumes and the target volumes

ANSWER: D

QUESTION NO: 2

A storage administrator has mounted a snapshot of an existing datastore to the ESXi server and decided to keep its existing signature. What action is prevented by keeping the existing signature?

- A. Modifying the datastore configuration
- B. Restoring the datastore
- C. Replicating the datastore
- D. Increasing the datastore size

ANSWER: A

QUESTION NO: 3

SRDF/A has been enabled between two PowerMax arrays. An extended loss of all RDF links occurs.

What is the state of the RDF pair after link connectivity is restored?

- A. Split
- B. Failed Over
- C. Suspended
- D. Partitioned

ANSWER: D

Explanation:

Reference: <https://www.delltechnologies.com/asset/en-us/products/storage/technical-support/docu95482.pdf> (24)

QUESTION NO: 4

What is a characteristic of SRDF/Metro?

- A. Data must be stored in cache on both sides before an acknowledgement is sent to the host.
- B. Multiple capture sets permit smaller cycles of data to be buffered on the R1 side and transferred to the R2 side.
- C. A dependent-write consistent copy is maintained between the R1 and R2 devices.
- D. Devices that have the Consistency Exempt attribute set can be controlled independently of the other devices.

ANSWER: C

Explanation:

Reference: https://www.academia.edu/30979162/SRDF_METRO_OVERVIEW_AND_BEST_PRACTICES_Technical_Notes

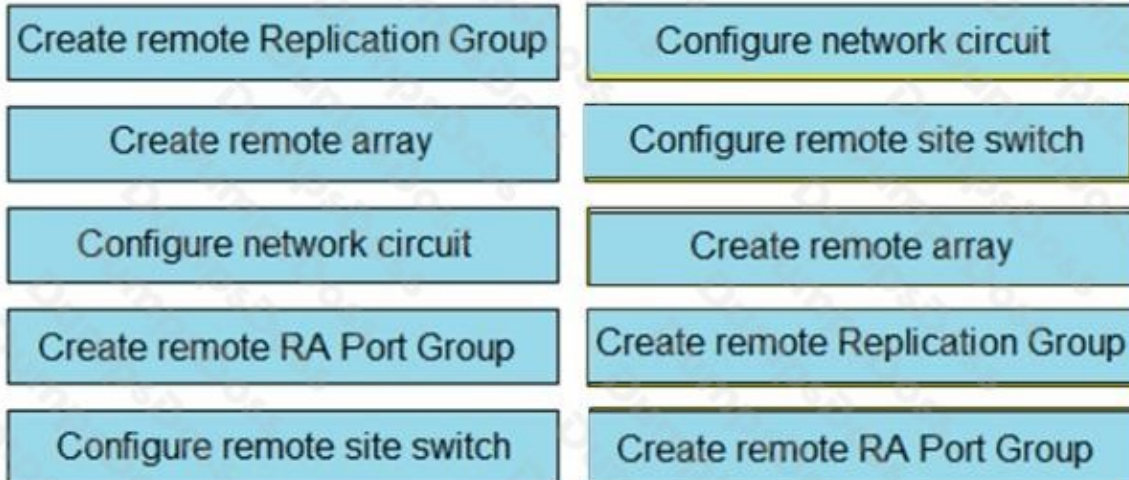
QUESTION NO: 5 - (DRAG DROP)

An architect is configuring BCSD to design SRDF/S between two new PowerMax arrays. The architect has completed the tasks for the local side of the solution, including RA Port Group, Replication Group, and site switch.

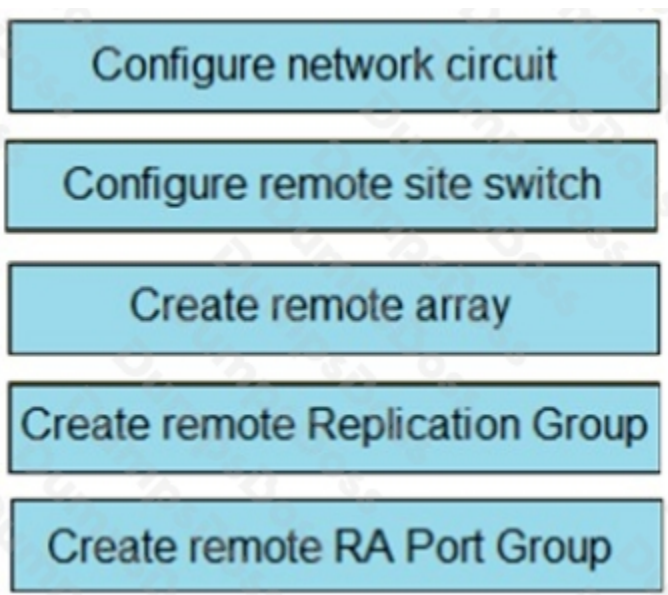
What is the correct order of steps the architect needs to take to complete the SRDF setup?

Create remote Replication Group	STEP 1
Create remote array	STEP 2
Configure network circuit	STEP 3
Create remote RA Port Group	STEP 4
Configure remote site switch	STEP 5

ANSWER:



Explanation:



QUESTION NO: 6

When implementing SRDF/Metro with Array Witness, what is a requirement of the witness array?

- A. Empty RDF group from witness to source and target
- B. vApp running on a VMware ESXi server
- C. Minimum of two witness arrays
- D. Two RDF groups with source and target devices

ANSWER: D

Explanation:

Reference: <https://www.delltechnologies.com/asset/en-us/products/storage/technical-support/docu95482.pdf> (64)

QUESTION NO: 7

How do Copy mode linked targets and NoCopy mode linked targets behave when a SnapVX unlink operation disassociates the linked target?

- A.** Once the copy completes, Copy mode linked targets do not contain a full and usable copy of the source devices. Behavior of NoCopy mode linked targets depends on the operating system running on the array. PowerMaxOS 5978 and HYPERMAX OS 5977.810.184 and later allow access to unlinked targets.
- B.** Once the copy completes, Copy mode linked targets contain a full and usable copy of the source devices. Behavior of NoCopy mode linked targets depends on the operating system running on the array. PowerMaxOS 5978 and HYPERMAX OS 5977.596.583 and later allow access to unlinked targets.
- C.** Once the copy completes, Copy mode linked targets contain a full and usable copy of the source devices. Behavior of NoCopy mode linked targets depends on the operating system running on the array. PowerMaxOS 5978 and HYPERMAX OS 5977.810.184 and later allow access to unlinked targets.
- D.** Once the copy completes, Copy mode linked targets will contain a full and usable copy of the source devices. NoCopy mode linked targets will not allow access to unlinked targets.

ANSWER: B

Explanation:

Reference: <https://www.thegeekdiary.com/timefinder-snapvx-concepts-and-snapvx-operations/>

QUESTION NO: 8

Data is being migrated from a VNX to a PowerMax using Open Replicator. The Pace Value is 0 with a Ceiling of 10%. Copies are taking a very long time to complete.

What could be done to resolve this issue?

- A.** Set Pace to 10; set Ceiling to 0%
- B.** Set Pace to 10; set Ceiling to 100%
- C.** Leave Pace as-is; set Ceiling to None
- D.** Leave Pace as-is; set Ceiling to 100%

ANSWER: D

QUESTION NO: 9

At a disaster planning meeting, an architect is presented with the following facts by a client:

A Unix host is replicating storage from a Production PowerMax to a VMAX 250FX.

RDF pairs have been split with Production and DR hosts accessing their respective storage.

Invalid tracks have started to build against PowerMax and VMAX 250FX.

The client now wants to bring production back to PowerMax, discarding the VMAX 250FX updates while keeping the updates on the PowerMax. What is the correct action to take?

- A. Failback
- B. Establish
- C. Resume
- D. Failover

ANSWER: A

QUESTION NO: 10

An architect plans to implement SRDF/A Legacy mode. What is a possible reason to do this?

- A. Decoupled cycle switching between R1 and R2 arrays
- B. Coupled cycle switching between R1 and R2 arrays
- C. Increased robustness of SRDF/A sessions and reduced DSE spillover
- D. More granular and predictable RPO at the R2 side.

ANSWER: A

Explanation:

Reference: https://manpreetstorage.files.wordpress.com/2016/07/vmax-3-solution-design-student_guide.pdf