

# DUMPSBOSS.

**Nutanix Certified Master**

**Nutanix NCM-MCI**

**Version Demo**

**Total Demo Questions: 10**

**Total Premium Questions: 99**

**Buy Premium PDF**

**<https://dumpsboss.co>**

**[support@dumpsboss.co](mailto:support@dumpsboss.co)**

**support@dumpsboss.co**  
**dumpsboss.co**

## QUESTION NO: 1

Refer to the exhibit.

The exhibit shows three panels from the Nutanix Enterprise Cloud interface:

- VM NICs:** Three panels, each titled "Update VM" with a "? x" icon. Each panel contains a message: "You haven't added any volume groups yet." and a blue button labeled "+ Add volume group".
- Network Adapters (NIC):** Three tables, each titled "Network Adapters (NIC)" with a "+ Add new NIC" button. Each table has columns: VLAN ID, VLAN NAME, MAC, and REQUESTED... (with a pencil icon).
 

VLAN ID	VLAN NAME	MAC	REQUESTED...
vlan15	VLAN15	50:6b:8d:da:27...	[Pencil icon]
- TOR Switch:** A configuration snippet for interface port-channel3000:
 

```
interface port-channel3000
description VPC 3000
switchport mode trunk
switchport trunk allowed vlan 10-20,30,40
switchport trunk native vlan 15
spanning-tree port type edge trunk
no lacp suspend-individual
vpc 3000
```
- Cluster Networks:** A table listing network configurations:
 

Network Name	VLAN	Icon
EUC-CONT	vlan.12	[Pencil icon]
EUC-EMP	vlan.11	[Pencil icon]
mynet	vlan.0	[Pencil icon]
VLAN15	vlan.15	[Pencil icon]
VLAN2	vlan.2	[Pencil icon]
VLAN20	vlan.20	[Pencil icon]
VLAN30	vlan.30	[Pencil icon]

An administrator is commissioning a Nutanix Enterprise Cloud. Once the user VMs have been deployed and are running, the administrator finds that VMs on the same host are able to communicate, but are unable to communicate between hosts.

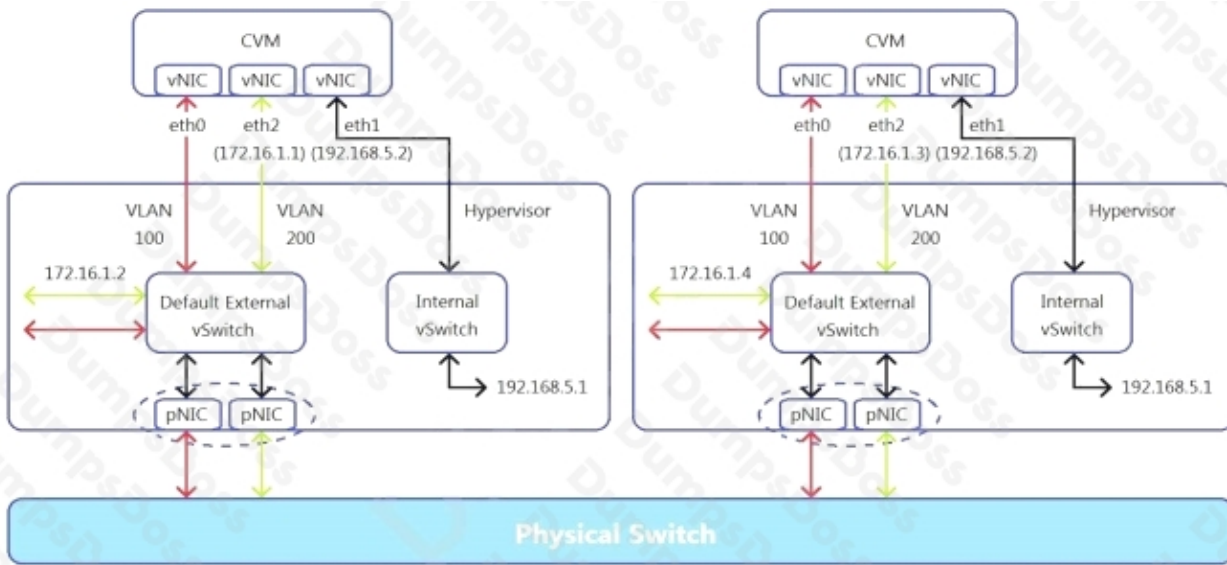
What must be changed to enable full inter-VM communications?

- A. Update the switch to specifically allow VLAN 15
- B. Change the spanning-tree port type on the switch
- C. The VMs need to have static IP addresses
- D. Change the network the VMs are connected to

**ANSWER: A**

## QUESTION NO: 2

Refer to the exhibit.



What is the purpose of eth2 on the CVMs?

- A. RDMA Network Segmentation
- B. iSCSI connectivity
- C. Remote site connectivity
- D. Network Segmentation

**ANSWER: D**

**QUESTION NO: 3**

An administrator is trying to convert an ESXi cluster with the existing configurations to AHV:

- HA and DRS enabled
- vCenter VM resides on the same cluster being converted
- Distributed vSwitch
- Multiple external vSwitches
- Active/active load balancing

Which two configurations will cause the cluster conversion process to fail? (Choose two.)

- A. vCenter VM resides on the same cluster
- B. Distributed vSwitch
- C. Multiple external vSwitches

D. Active/Active load balancing policy

**ANSWER: B C**

**Explanation:**

Reference: [https://portal.nutanix.com/page/documents/details?targetId=Web-Console-Guide-Prism-v6\\_0:man-cluster-conversion-c.html](https://portal.nutanix.com/page/documents/details?targetId=Web-Console-Guide-Prism-v6_0:man-cluster-conversion-c.html)

## QUESTION NO: 4

An administrator receives reports about a Nutanix environment. The investigation finds the following:

- VMs are experiencing very high latency
  - Each node is equipped with a single SSD, utilized at 95%
  - Each node is equipped with three HDDs, utilized at 40%
- Why are the guest VMs experiencing high latency?

- A. CVMs are overwhelmed by disk balancing operations.
- B. All VM write operations are going to HDD.
- C. All VM read operations are coming from HDD.
- D. VMs are unable to perform write operations

**ANSWER: C**

**Explanation:**

## Latency Variables in a Nutanix Cluster

The following points provide you with the information regarding latency on a Nutanix cluster.

- All-flash-array nodes are provided by Nutanix, but the focus of this KB is on the two-tier (SSD and HDD) nodes. This two-tier design aims to keep frequently read data in the host (SSD) tier and Information Life Cycle Management (ILM) promotes and demotes the data from the hot tier. This provides a cost-effective solution that has variable latency response.
- Extent store : HDD and SSD together makes the extent store. However some portion of the SSDs is used for Oplog.
- Oplog: This is used for random writes where data is temporarily written and provides quick acknowledgement. This is eventually drained to an extent store.
- Cluster that are correctly sized will have a Working Set Size (WSS) that fits within the SSD tier. This ensures that the commonly accessed data on the cluster is available from the SSD. If ILM is moving data from hot to cold tier and back, it implies that the cluster is under sized and higher latencies will be experienced due to the higher cold-tier hit rate for the data reads.
- Data that is read from the cold tier (HDD - spinning disk) will have higher latency than the data that is read from the hot tier.

Reference: <https://next.nutanix.com/how-it-works-22/disk-i-o-latency-on-a-nutanix-cluster-38349>

## QUESTION NO: 5 - (HOTSPOT)

### HOTSPOT

A system administrator needs to shut down an AHV node in a Nutanix cluster without causing service disruption. The administrator checks data resiliency and verifies that the cluster can tolerate a node down.

Which steps should the administrator perform next?

### Hot Area:

Procedure	Step					
Put the host in maintenance mode	<table border="1"><tr><td>▼</td></tr><tr><td>Step 1</td></tr><tr><td>Step 2</td></tr><tr><td>Step 3</td></tr><tr><td>Invalid Step</td></tr></table>	▼	Step 1	Step 2	Step 3	Invalid Step
▼						
Step 1						
Step 2						
Step 3						
Invalid Step						
Shut down the CVM	<table border="1"><tr><td>▼</td></tr><tr><td>Step 1</td></tr><tr><td>Step 2</td></tr><tr><td>Step 3</td></tr><tr><td>Invalid Step</td></tr></table>	▼	Step 1	Step 2	Step 3	Invalid Step
▼						
Step 1						
Step 2						
Step 3						
Invalid Step						
Shut down the node	<table border="1"><tr><td>▼</td></tr><tr><td>Step 1</td></tr><tr><td>Step 2</td></tr><tr><td>Step 3</td></tr><tr><td>Invalid Step</td></tr></table>	▼	Step 1	Step 2	Step 3	Invalid Step
▼						
Step 1						
Step 2						
Step 3						
Invalid Step						
Power off the node	<table border="1"><tr><td>▼</td></tr><tr><td>Step 1</td></tr><tr><td>Step 2</td></tr><tr><td>Step 3</td></tr><tr><td>Invalid Step</td></tr></table>	▼	Step 1	Step 2	Step 3	Invalid Step
▼						
Step 1						
Step 2						
Step 3						
Invalid Step						
Allow VMs to start on the remaining nodes	<table border="1"><tr><td>▼</td></tr><tr><td>Step 1</td></tr><tr><td>Step 2</td></tr><tr><td>Step 3</td></tr><tr><td>Invalid Step</td></tr></table>	▼	Step 1	Step 2	Step 3	Invalid Step
▼						
Step 1						
Step 2						
Step 3						
Invalid Step						

**ANSWER:**

Procedure	Step					
Put the host in maintenance mode	<table border="1"> <tr><td>▼</td></tr> <tr><td>Step 1</td></tr> <tr><td>Step 2</td></tr> <tr><td>Step 3</td></tr> <tr><td>Invalid Step</td></tr> </table>	▼	Step 1	Step 2	Step 3	Invalid Step
▼						
Step 1						
Step 2						
Step 3						
Invalid Step						
Shut down the CVM	<table border="1"> <tr><td>▼</td></tr> <tr><td>Step 1</td></tr> <tr><td>Step 2</td></tr> <tr><td>Step 3</td></tr> <tr><td>Invalid Step</td></tr> </table>	▼	Step 1	Step 2	Step 3	Invalid Step
▼						
Step 1						
Step 2						
Step 3						
Invalid Step						
Shut down the node	<table border="1"> <tr><td>▼</td></tr> <tr><td>Step 1</td></tr> <tr><td>Step 2</td></tr> <tr><td>Step 3</td></tr> <tr><td>Invalid Step</td></tr> </table>	▼	Step 1	Step 2	Step 3	Invalid Step
▼						
Step 1						
Step 2						
Step 3						
Invalid Step						
Power off the node	<table border="1"> <tr><td>▼</td></tr> <tr><td>Step 1</td></tr> <tr><td>Step 2</td></tr> <tr><td>Step 3</td></tr> <tr><td>Invalid Step</td></tr> </table>	▼	Step 1	Step 2	Step 3	Invalid Step
▼						
Step 1						
Step 2						
Step 3						
Invalid Step						
Allow VMs to start on the remaining nodes	<table border="1"> <tr><td>▼</td></tr> <tr><td>Step 1</td></tr> <tr><td>Step 2</td></tr> <tr><td>Step 3</td></tr> <tr><td>Invalid Step</td></tr> </table>	▼	Step 1	Step 2	Step 3	Invalid Step
▼						
Step 1						
Step 2						
Step 3						
Invalid Step						

**Explanation:**

Reference: [https://portal.nutanix.com/page/documents/details?targetId=AHV-Admin-Guide-v6\\_0:ahv-node-shutdown-ahv-t.html](https://portal.nutanix.com/page/documents/details?targetId=AHV-Admin-Guide-v6_0:ahv-node-shutdown-ahv-t.html)

**QUESTION NO: 6**

An administrator needs to replace an aging SAN and move to a hyper-converged infrastructure. The existing environment consists of the following hosts that are connected to the SAN:

- 5x AIX hosts
- 3x Hyper-V hosts

- 9x ESXi hosts
- 2x physical SQL Clusters (Windows Server 2012R2 hosts)

After deploying a Nutanix AHV cluster, which two actions should the administrator take to meet the requirements? (Choose two.)

- A. Deploy Volumes to support the AIX and SQL workloads.
- B. Migrate the ESXI workloads to AHV using Move.
- C. Deploy Files to support the AIX hosts.
- D. Migrate the ESXi and Hyper-V workloads using Move.

**ANSWER: A D**

**Explanation:**

Reference: <https://portal.nutanix.com/page/documents/kbs/details?targetId=kA00e000000Cr7GCAS>

## QUESTION NO: 7

A customer needs a DR solution designed around the following requirements:

- There are 8 ms of latency between Sites A and B
- The administrator needs the shortest RPO/RTO possible
- Application consistent snapshots are required
- Use of Nutanix VSS

Which Data Protection Method should be used?

- A. Async
- B. Metro Availability
- C. Near Sync
- D. Cloud Connect

**ANSWER: C**

## QUESTION NO: 8

An administrator needs to relocate an AHV cluster to a new datacenter during a maintenance window. The cluster will use the same IPs in the new datacenter.

Which two steps should be taken to prepare for this task? (Choose two.)

- A. Stop all Nutanix Files clusters
- B. Relocate the linked LDAP servers
- C. Shut down all user VMs in the cluster
- D. Reconfigure IPMI for the new datacenter

**ANSWER: A C**

**Explanation:**

Reference:

<https://next.nutanix.com/installation-configuration-23/physical-relocation-of-nutanix-clusters-38403>

## QUESTION NO: 9

Refer to the exhibit.

User	Quota	Enforcement
All Users	No quota limit	
fileslab\user1	5 GiB	Soft
All Users in "AAPM"	10 GiB	Hard

User 1 and User 2 belong to the AAPM group.

What are two descriptions of how Files perform quota management? (Choose two.)

- A. User 2 can continue to add another 3GB file but will receive a daily notification email.
- B. User 1 can continue to add another 5GB file but will receive a daily notification email.
- C. User 1 can add an 8GB file to the share without receiving notification.
- D. User 2 can add an 8GB file without receiving a notification email.

**ANSWER: B D**

## QUESTION NO: 10

Microsegmentation was recently enabled in a Nutanix environment. The administrator wants to leverage Prism Central to create a policy that will block all traffic, regardless of direction, between two groups of VMs identified by their category.

Which policy should be used to meet this requirement?

- A. A Quarantine Policy
- B. An Isolation Environment Policy
- C. An Application Security Policy
- D. A Whitelist-Based Policy

**ANSWER: B**