

DUMPSBOSS.

Enterprise Routing and Switching Professional (JNCIP-ENT)

Juniper JN0-649

Version Demo

Total Demo Questions: 10

Total Premium Questions: 65

Buy Premium PDF

<https://dumpsboss.co>

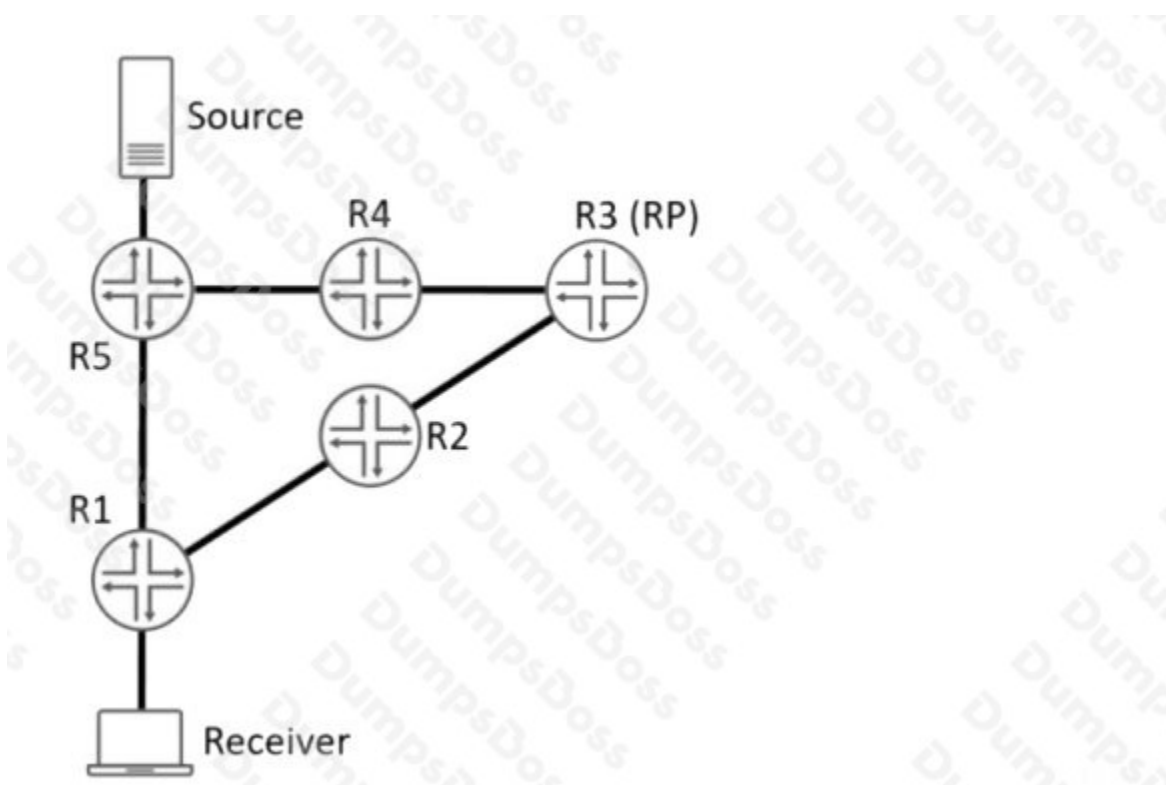
support@dumpsboss.co

support@dumpsboss.co
dumpsboss.co

QUESTION NO: 1

Referring to the exhibit, a PIM-SM network is set up to enable communication between multicast devices.

Which two statements are true? (Choose two.)



- A. Before the formation of the rendezvous-point tree, a join message is sent from R1 to R3.
- B. Before the formation of the rendezvous-point tree, an IGMP is sent from the Receiver to R1.
- C. Before the formation of the rendezvous-point tree, an IGMP is sent from the Source to R5.
- D. Before the formation of the rendezvous-point tree, a join message is sent from R1 to R5.

ANSWER: B C

QUESTION NO: 2

You are deploying an 802.1X solution and must determine what would happen if clients are unable to re-authenticate to the RADIUS server.

In this scenario, which configuration would provide access to the network if the supplicant is already authenticated?

- A. move

- B. permit
- C. deny
- D. sustain

ANSWER: D

QUESTION NO: 3

You are deploying new Juniper EX Series switches in a network that currently is using Cisco's Per-VLAN spanning tree plus (PVST+) and you must provide compatibility with this environment.

Which spanning tree protocol do you deploy in this scenario?

- A. STP
- B. MSTP
- C. VSTP
- D. RSTP

ANSWER: B

QUESTION NO: 4

You have scheduled maintenance operations for one of the devices in your OSPF network.

Referring to the exhibit, which three statements are correct? (Choose three.)

```
[edit protocols ospf]
user@R1# show
overload;
area 0.0.0.0 {
    interface ge-0/0/0.0;
interface ge-0/0/1.0;
}
```

- A. R1 does not participate in OSPF routing.
- B. Any traffic destined for networks that terminate on R1 will still be forwarded to R1.
- C. The metrics for all transit interfaces on R1 is set to the maximum value of 65,535.

D. R1 participates in OSPF routing but does not send or receive transit traffic.

E. R1 does not send or receive transit traffic during the maintenance window even if no alternative paths exist to the given destination.

ANSWER: B C D

QUESTION NO: 5

You are troubleshooting a BGP connection.

Referring to the exhibit, which two statements are correct? (Choose two.)

```
user@router> show log messages | match notification
Dec 22 19:22:29 router rpd[7394]: bgp_process_open:4185: NOTIFICATION sent to
192.168.1.4 (Internal AS 65000): code 2 (Open Message Error) subcode 2 (bad peer AS
number), Reason: peer 192.168.1.4 (Internal AS 65000) claims 65100, 65000 configured
Dec 22 19:22:33 router rpd[7394]: bgp_pp_rcv:4798: NOTIFICATION sent to 192.168.1.4+
56774 (proto): code 2 (Open Message Error) subcode 2 (bad peer AS number), Reason: no
group for 192.168.1.4+56774 (proto) from AS 65100 found (peer as mismatch)in master
(ge-0/0/1.0), dropping him
Dec 22 19:23:29 router kernel: tcp_auth_ok: Packet from 192.168.1.5:64047 missing MD5
digest
Dec 22 19:23:30 router kernel: tcp_auth_ok: Packet from 192.168.1.6:56201 missing MD5
digest
---(more)---
```

A. Packet fragmentation is preventing the session from establishing.

B. The 192.168.1.5 peer has a misconfigured MD5 key.

C. The ge-0/0/1 interface is disabled.

D. The 192.168.1.4 peer has a misconfigured autonomous system number.

ANSWER: A C

QUESTION NO: 6

A Layer 2 connection does not extend across data centers. The IP subnet in a Layer 2 domain is confined within a single data center.

Which EVPN route type is used to communicate prefixes between the data centers?

A. Type 1

B. Type 2

C. Type 4

D. Type 5

ANSWER: D

QUESTION NO: 7

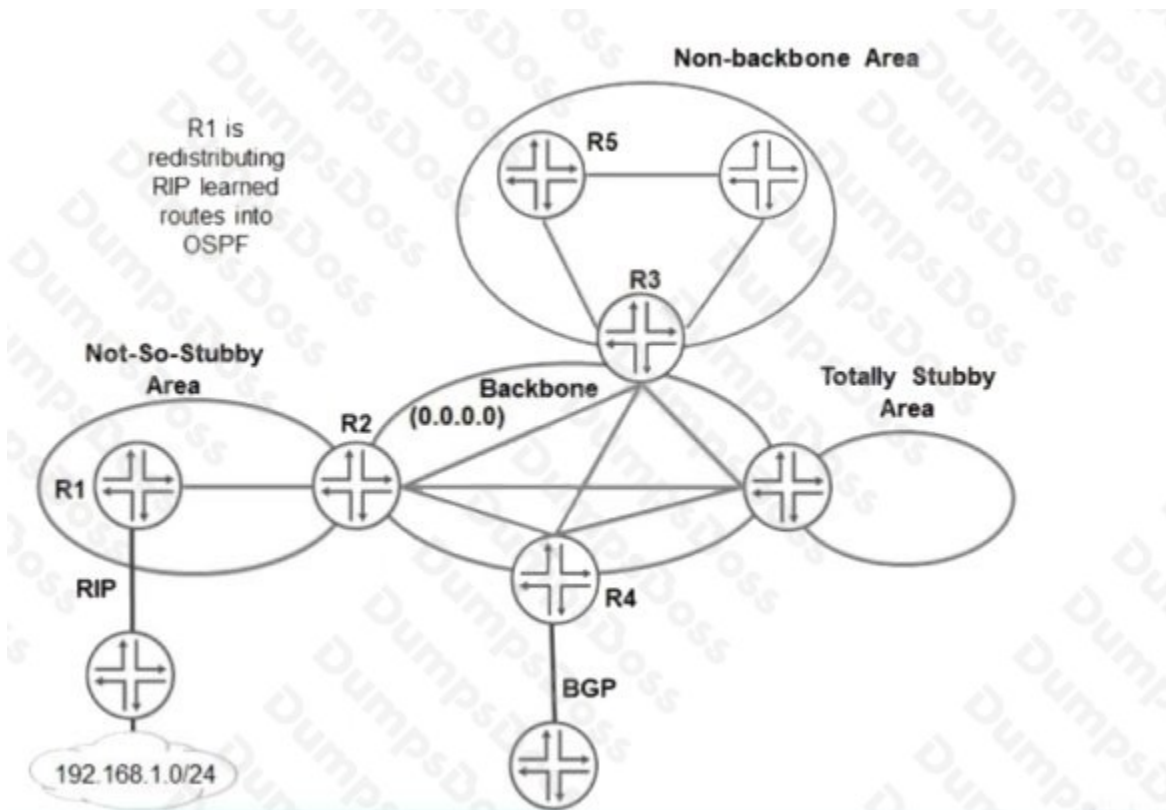
Which two multicast listener registration protocols are supported in the Junos operating system? (Choose two.)

- A. MLD
- B. DVMRP
- C. IGMP
- D. PIM

ANSWER: A C

QUESTION NO: 8

Referring to the exhibit, which LSA type is used to advertise 192.168.1.0/24 to R5?



- A. Type 5
- B. Type 4
- C. Type 3
- D. Type 7

ANSWER: B

QUESTION NO: 9

Your EX Series switch has IP telephones and computers connected to a single switch port. You are considering implementing the voice VLAN feature to help with this setup.

In this scenario, which two statements are correct? (Choose two.)

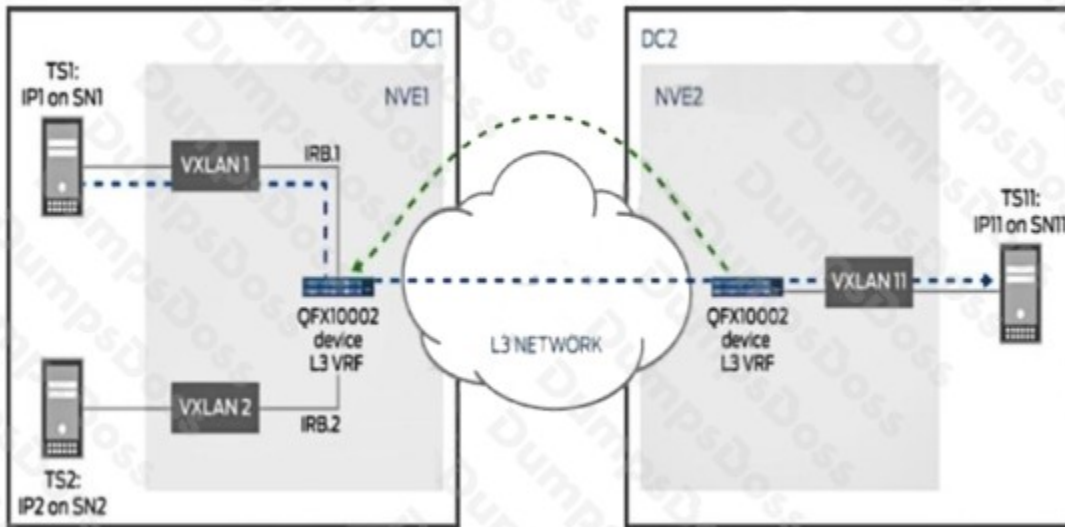
- A. The voice VLAN feature must be used with LLDP-MED to associate VLAN ID and 802.1p values with the traffic.
- B. The interfaces must be configured as access ports.
- C. Assigning the incoming voice and data traffic to separate VLANs enables the ability to prioritize the traffic using CoS.
- D. The voice VLAN feature will enable incoming tagged data and voice traffic to be associated with separate VLANs.

ANSWER: B C

QUESTION NO: 10

The connection between DC1 and DC2 is routed as shown in the exhibit.

In this scenario, which statement is correct?



- A. The border devices must be able to perform Layer 3 routing and provide IRB functionality.
- B. L3VPN must be enabled to advertise reachability.
- C. An IP prefix route provides encoding for intra-subnet forwarding.
- D. Type 2 and Type 5 routes will be exchanged between DC1 and DC2.

ANSWER: A