

DUMPSBOSS.

Certified LabVIEW Associate Developer Examination

NI CLAD

Version Demo

Total Demo Questions: 8

Total Premium Questions: 114

Buy Premium PDF

<https://dumpsboss.co>

support@dumpsboss.co

support@dumpsboss.co
dumpsboss.co

QUESTION NO: 1

Which VI memory components are ALWAYS S resident for a SubVI? (Choose all apply)

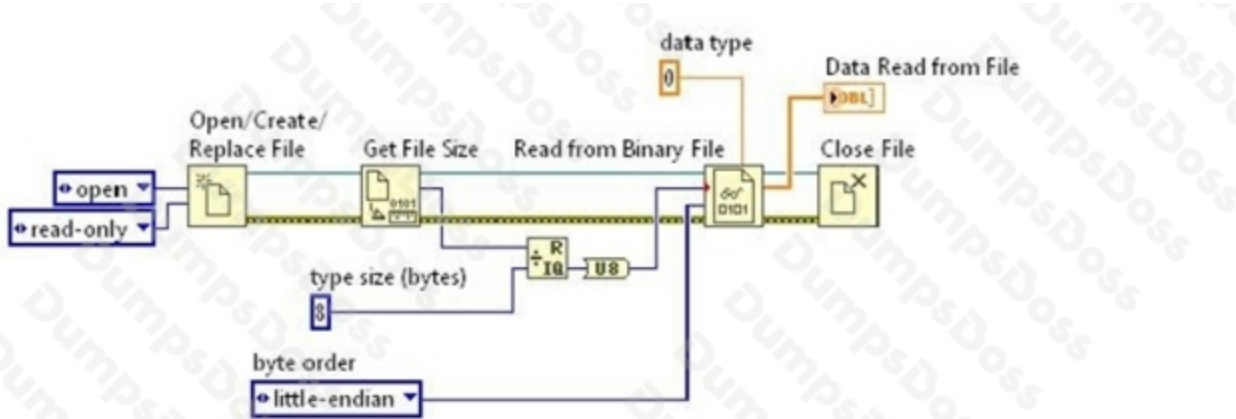
- A. Data Space
- B. Front Panel
- C. Block Diagram
- D. Code

ANSWER: A D

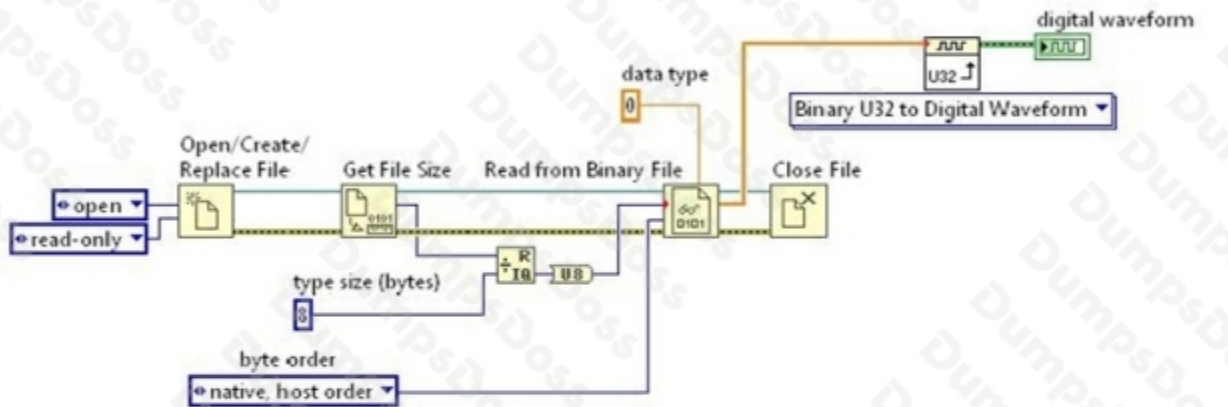
QUESTION NO: 2

Which of the following VIs will generate a human-readable text file?

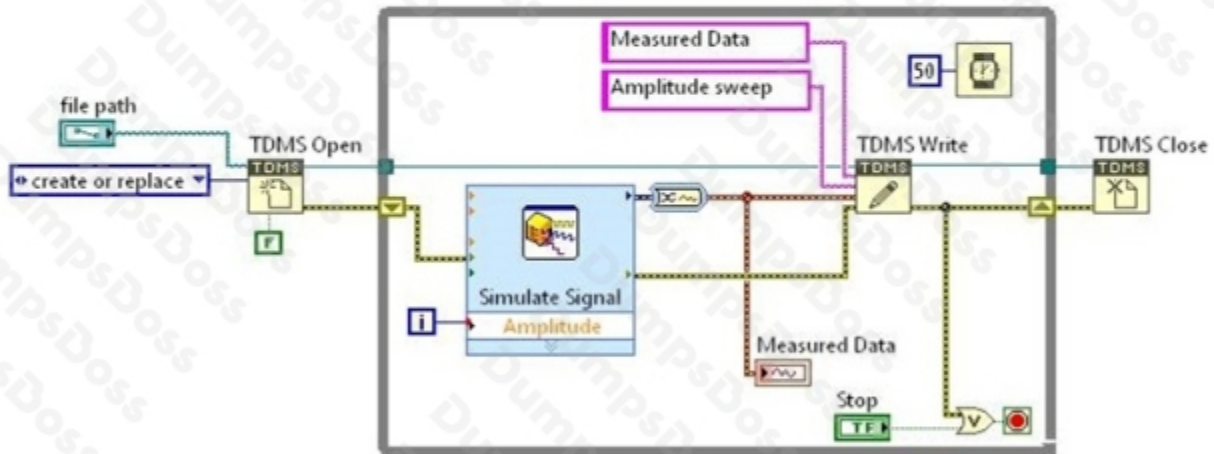
A.



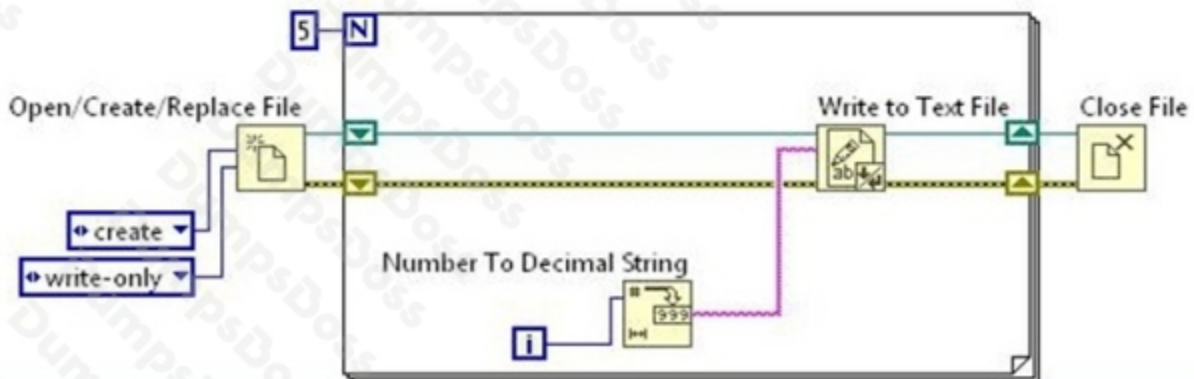
B.



C.



D.

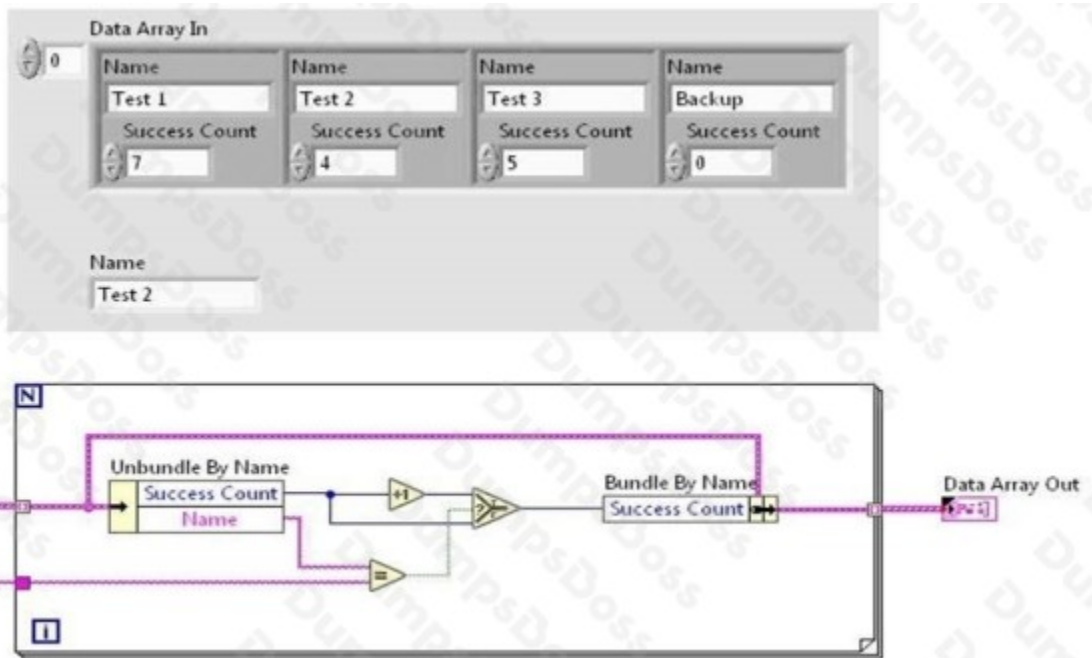


- A. Option A
- B. Option B
- C. Option C
- D. Option D

ANSWER: B

QUESTION NO: 3

What will be displayed in Data Array Out after the VI runs with Data Array In and name input as shown?



A. 

B. 

C. 

D. 

- A. Option A
- B. Option B
- C. Option C
- D. Option D

ANSWER: A

QUESTION NO: 4

Which of the following statements is true?

- A. The default setting for a tunnel into or out of a For Loop has auto-indexing enabled if the data being passed is an array. and

- B.** The default setting for a tunnel into or out of a While Loop has auto-indexing disabled if the data being passed is an array. are trued.
- C.** Both
- D.** None of the above

ANSWER: C

QUESTION NO: 5

In what instance would you use the Probe tool rather than Highlight Execution?

- A.** To see the flow of data
- B.** To see the value of a wire in real-time
- C.** To look into a SubVI, as the process is running
- D.** To slowdown the VI and show data values in wires

ANSWER: B

QUESTION NO: 6

If an input name on the Show Context Help window is in bold for a SubVI, which of the following conditions are true? (Choose all apply)

- A.** Input values must be scalar.
- B.** An input is recommended, but not required.
- C.** An input is required.
- D.** A broken run arrow will result unless the input is wired.

ANSWER: C D

QUESTION NO: 7

Which of the following is the best method to update an indicator on the front panel?

- A.** Use a Value property node
- B.** Wire directly to the indicator terminal

- C. Use a local variable
- D. Use a functional global variable

ANSWER: B

QUESTION NO: 8

Which of the following apply to Property Nodes? (Choose all apply)

- A. Property Nodes allow attributes of front panel objects to be programmatically manipulated.
- B. Property Nodes can be used to update the values contained in a front panel object.
- C. More than one Property Node can be used for a single front panel object.
- D. Property Nodes contained in a SubVI will always cause the front panel to be loaded in memory.

ANSWER: A B C D